

Ladeneinrichtungen und Zubehör Agencement de magasins et fournitures



DITTA DISPLAY
info@dittadisplay.ch
www.dittadisplay.ch

TMC Galleria, Thurgauerstr. 119,
8152 Glattpark / Opfikon ZH
TEL 043 495 06 61 FAX 043 495 06 62

Ch. des Champs-Courbes 1,
ZI En Vallaire Est, 1024 Ecublens VD
TEL 021 691 12 12 FAX 021 691 13 13



6 LINEA SETTE

DITTA DISPLAY
info@dittadisplay.ch
www.dittadisplay.ch

TMC Galleria, Thurgauerstr. 119,
8152 Glattpark / Opfikon ZH
TEL 043 495 06 61 FAX 043 495 06 62

Ch. des Champs-Courbes 1,
ZI En Vallaire Est, 1024 Ecublens VD
TEL 021 691 12 12 FAX 021 691 13 13



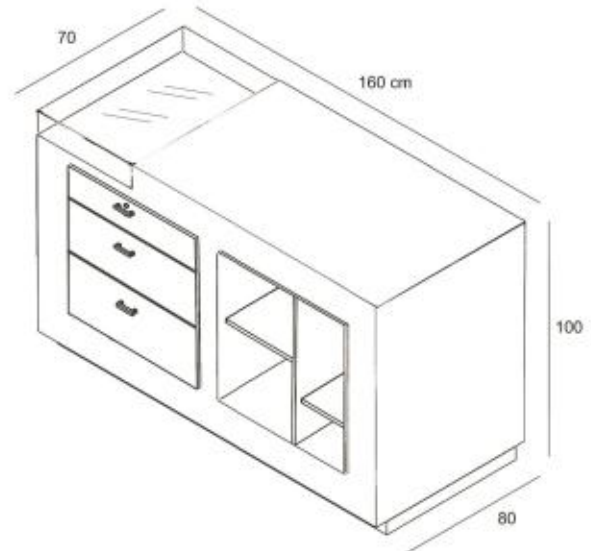
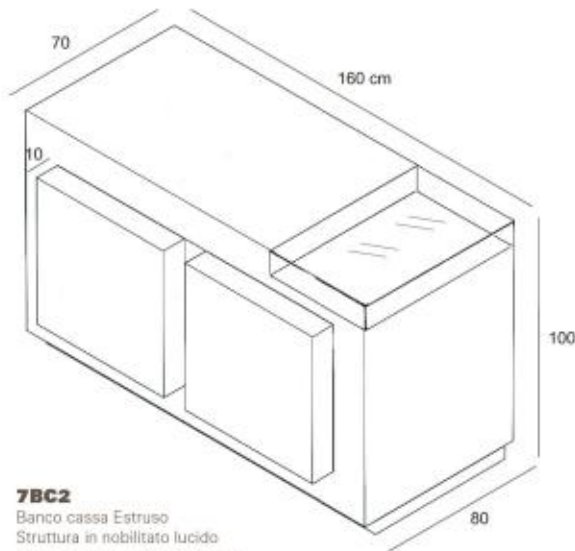
DITTA DISPLAY
info@dittadisplay.ch
www.dittadisplay.ch

TMC Galleria, Thurgauerstr. 119,
8152 Glattpark / Opfikon ZH
TEL 043 495 06 61 FAX 043 495 06 62

Ch. des Champs-Courbes 1,
ZI En Vallaire Est, 1024 Ecublens VD
TEL 021 691 12 12 FAX 021 691 13 13



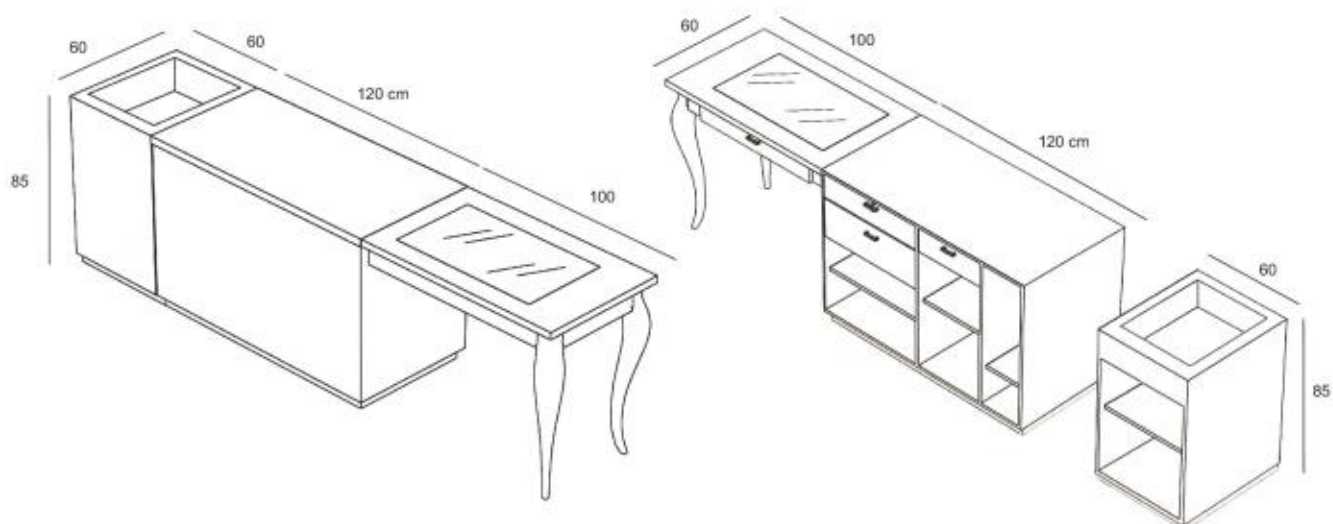
BANCHI CASSA
CASH COUNTERS



7BC2

Banco cassa Estruso
Struttura in nobilitato lucido
Cubi estrusi in nobilitato opaco
Cash counter
Structure in glossy faced panel
Internal cubes in opaque faced panel
L.160 x P.80 x H.10 cm

BANCHI CASSA
CASH COUNTERS



7BC1

Banco cassa Minotauro
Porzione tavolo in nobilitato lucido
Desk in nobilitato opaco
Cash counter "Minotauro"
Table side in glossy faced panel
Desk in opaque faced panel
L.220 x P.60 x H.85 cm

7BC1V/L

Vaso in nobilitato lucido con vani interni
con cesta impermeabile in ferro
per alloggiamento pianta
Pot in glossy faced panel with internal
compartments with waterproof iron
basket for plant placement
L.60 x P.60 x H.85 cm

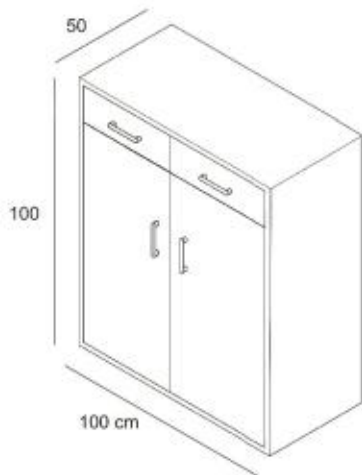
7BC1V/N

Vaso in nobilitato opaco con vani interni
con cesta impermeabile in ferro
per alloggiamento pianta
Pot in opaque faced panel with internal
compartments with waterproof iron
basket for plant placement
L.60 x P.60 x H.85 cm





MODULO RETRO CASSA
BACK-CASH MODULE



7RC/L

Modulo retro cassa in nobilitato lucido
Back-Cash module in glossy faced panel
L.100 x P.50 x H.100 cm

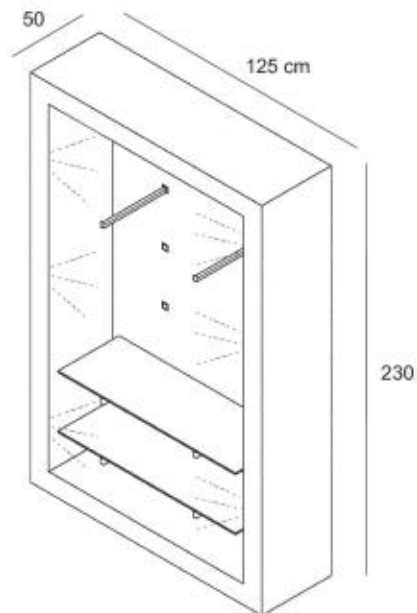
7RC/N

Modulo retro cassa in nobilitato opaco
Back-Cash module in opaque faced panel
L.100 x P.50 x H.100 cm





ARMADI
WARDROBES



7ARM/LL

Armadio con illuminazione interna
Superfici esterne ed interne in nobilitato lucido
Wardrobe with internal lighting
Outer and internal surfaces in glossy faced panel
L.125 x P.50 x H.230 cm

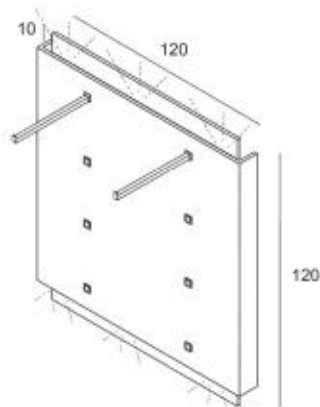
7ARM/NN

Armadio con illuminazione interna
Superfici esterne ed interne in nobilitato opaco
Wardrobe with internal lighting
Outer and internal surfaces in opaque faced panel
L.125 x P.50 x H.230 cm

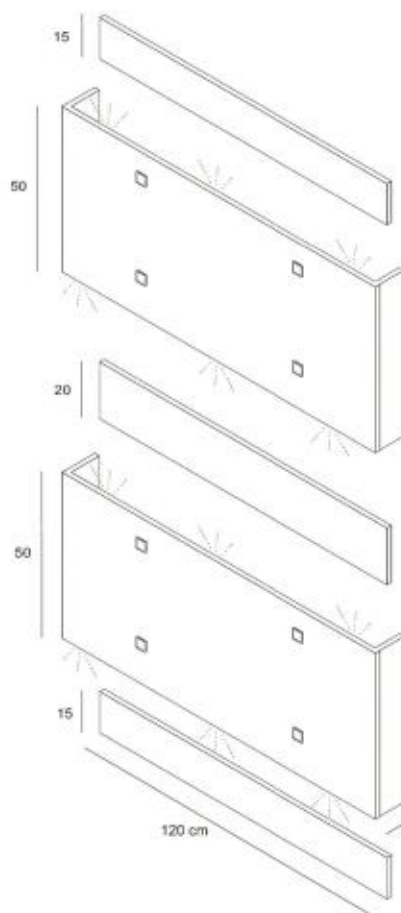
7ARM/LN

Armadio con illuminazione interna
Superfici esterne in nobilitato lucido
Top, fondo e schiena in nobilitato opaco
Wardrobe with internal lighting
Outer surfaces in glossy faced panel
Top, bottom and back in opaque faced panel
L.125 x P.50 x H.230 cm

PANNELLI
PANELS



7PA1
Pannello retroilluminato in nobilitato lucido
con inserti in nobilitato opaco
*Back-lighted panel in glossy faced panel
with inserts in opaque faced panel*
L.120 x P.10 x H.120 cm



7PA2
Pannello retroilluminato in nobilitato lucido
Back-lighted panel in glossy faced panel
L.120 x P.10 x H.50 cm

7PA4
Inserto intermedio in nobilitato opaco
Intermediate inset in opaque faced panel
L.120 x H.20 cm

7PA3
Inserto per top e fondo in nobilitato opaco
Inset for top and bottom in opaque faced panel
L.120 x H.15 cm





10 LINEASETTE

DITTA DISPLAY
info@dittadisplay.ch
www.dittadisplay.ch

TMC Galleria, Thurgauerstr. 119,
8152 Glattpark / Opfikon ZH
TEL 043 495 06 61 FAX 043 495 06 62

Ch. des Champs-Courbes 1,
ZI En Vallaire Est, 1024 Ecublens VD
TEL 021 691 12 12 FAX 021 691 13 13



11

DITTA DISPLAY
info@dittadisplay.ch
www.dittadisplay.ch

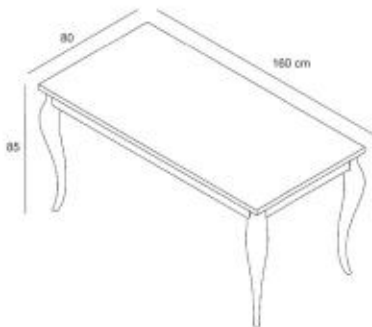
TMC Galleria, Thurgauerstr. 119,
8152 Glattpark / Opfikon ZH
TEL 043 495 06 61 FAX 043 495 06 62

Ch. des Champs-Courbes 1,
ZI En Vallaire Est, 1024 Ecublens VD
TEL 021 691 12 12 FAX 021 691 13 13

11

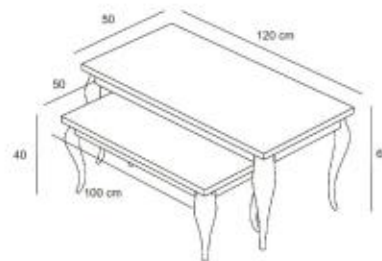


TAVOLI
TABLES



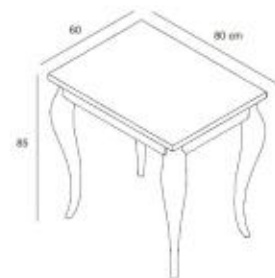
7TAV1/L

Tavolo matrioska grande con gambe tornite piano in nobilitato lucido, gambe laccate lucide
"Matrioska" large table with glossy lacqued legs and glossy faced top
L.160 x P.80 x H.85 cm



7TAV2/L

Tavolo matrioska medio con gambe tornite piano in nobilitato lucido, gambe laccate lucide
"Matrioska" medium table with glossy lacqued legs and glossy faced top
L.120 x P.50 x H.60 cm

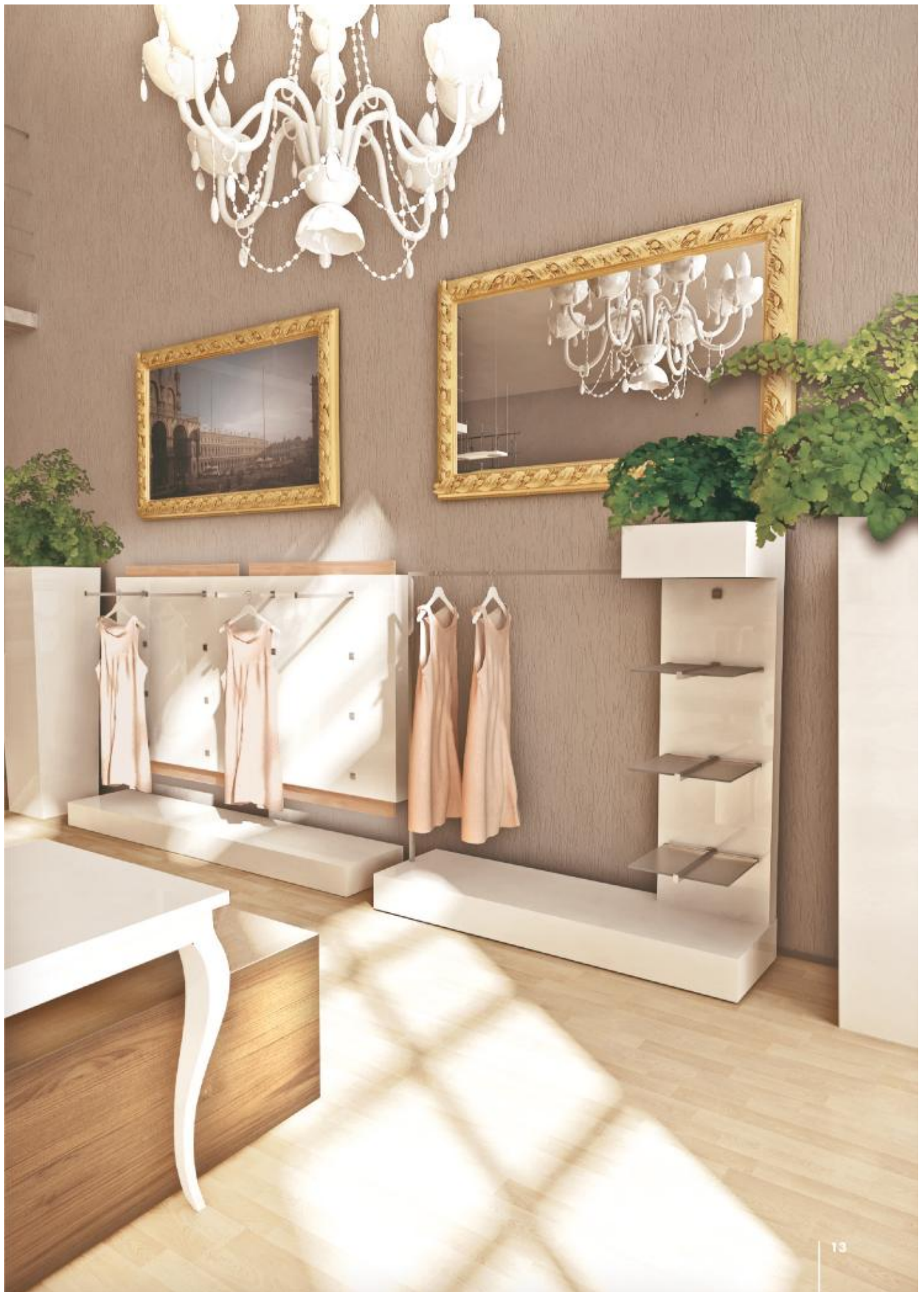


7TD/L

Tavolo-desk con gambe tornite piano in nobilitato lucido, gambe laccate lucide
Desk-table with glossy lacqued legs and glossy faced top
L.80 x P.60 x H.85 cm

7TAV3/L

Tavolo matrioska piccolo con gambe tornite piano in nobilitato lucido, gambe laccate lucide
"Matrioska" small table with glossy lacqued legs and glossy faced top
L.100 x P.50 x H.40 cm



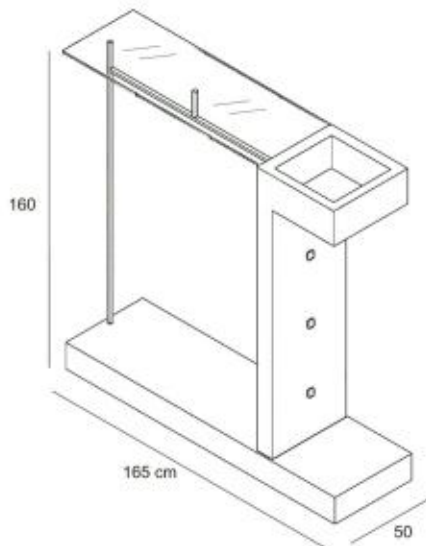
DITTA DISPLAY
info@dittadisplay.ch
www.dittadisplay.ch

TMC Galleria, Thurgauerstr. 119,
8152 Glattpark / Opfikon ZH
TEL 043 495 06 61 FAX 043 495 06 62

Ch. des Champs-Courbes 1,
ZI En Vallaire Est, 1024 Ecublens VD
TEL 021 691 12 12 FAX 021 691 13 13

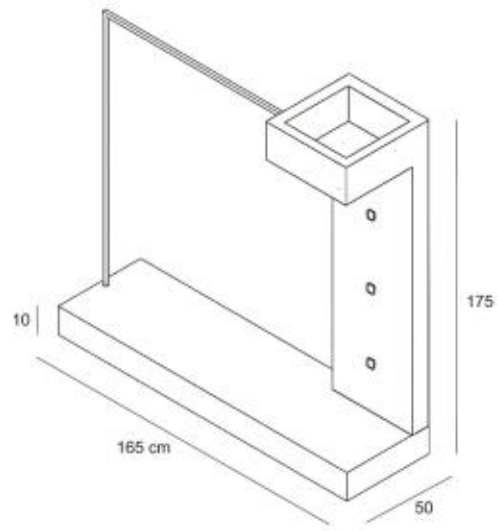


ISOLE
ISLANDS



7ISA

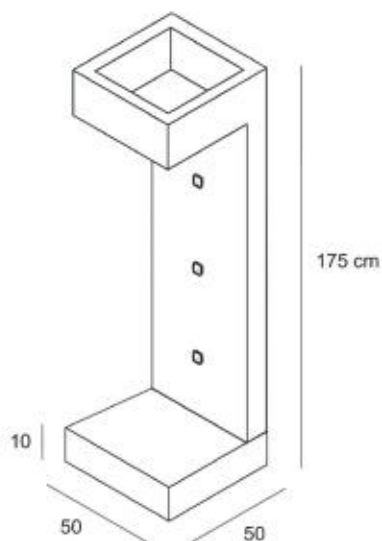
Isola autoportante da centro stanza in nobilitato lucido
 Con tubo appenderia in metallo cromo lucido
 Con cesta impermeabile in ferro per alloggiamento pianta
 Mensola in vetro temperato (opzionale)
*Self-standing island for centre room in glossy faced panel
 With crossbar in metal, glossy chromium finishing
 With waterproof iron basket for plant placement
 Tempered glass shelf (optional)*
 L.165 x P.50 x H.160 cm



7ISB

Isola autoportante da parete in nobilitato lucido
 Con tubo appenderia in metallo cromo lucido
 Con cesta impermeabile in ferro per alloggiamento pianta
 Mensola in vetro temperato (opzionale)
*Self-standing island for wall in glossy faced panel
 With crossbar in metal, glossy chromium finishing
 With waterproof iron basket for plant placement
 Tempered glass shelf (optional)*
 L.165 x P.50 x H.175 cm

TOTEM
TOTEM



7TO

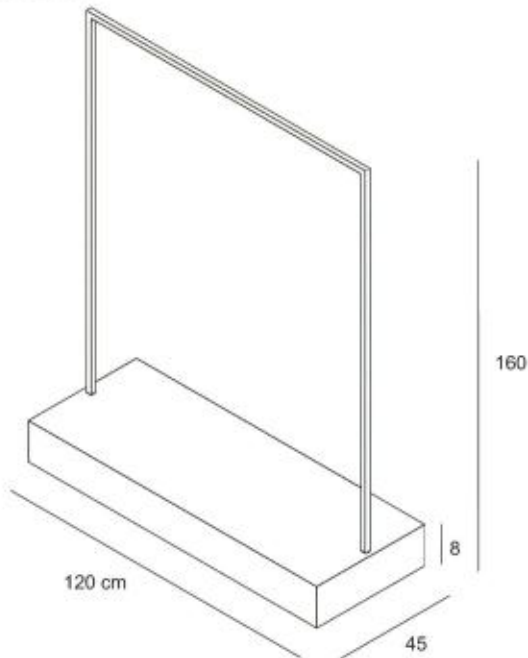
Totem da parete in nobilitato lucido
Con cesta impermeabile in ferro per alloggiamento pianta
Wall totem in glossy faced panel
With waterproof iron basket for plant placement
L.50 x P.50 x H.175 cm



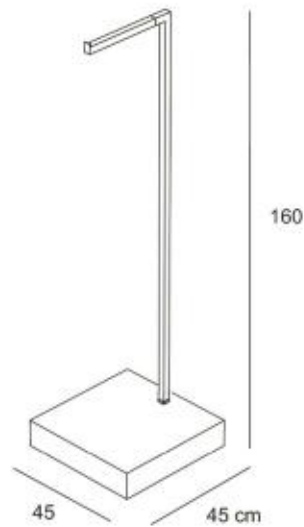
19



STENDERS
STENDERS

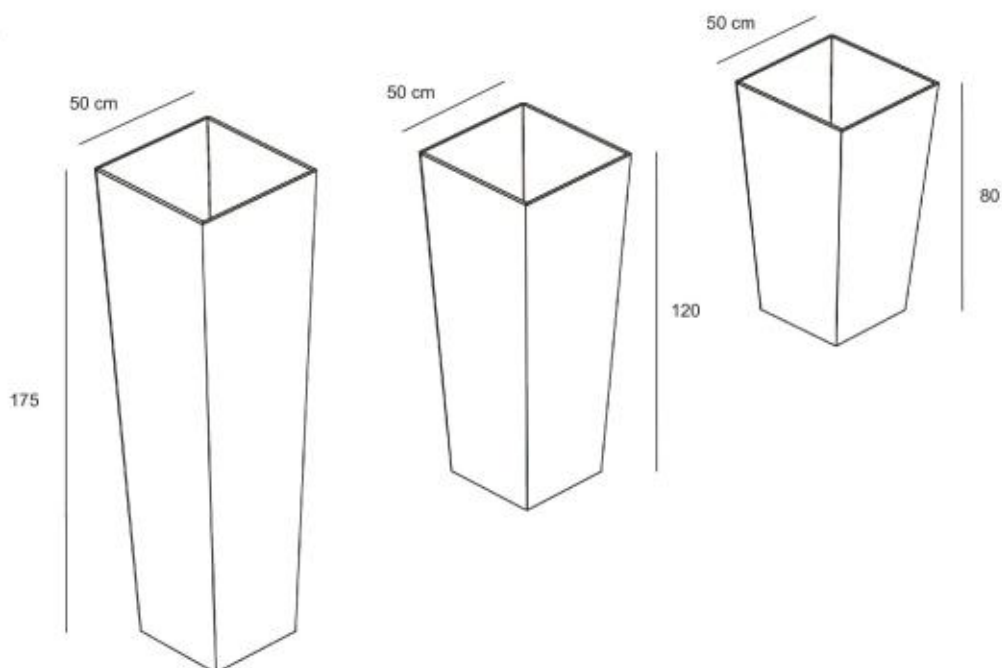


7ST1
Base in nobilitato lucido
Tubo appenderia in metallo cromo lucido
Base in glossy faced panel
Crossbar tube in metal, glossy chromium finishing
L.120 x P.45 x H.160 cm



7ST2
Base in nobilitato lucido
Tubo appenderia in metallo cromo lucido
Base in glossy faced panel
Crossbar tube in metal, glossy chromium finishing
L.45 x P.45 x H.160 cm

**VASI
POTS**



7V1/L

Vaso in nobilitato lucido
Con cesta impermeabile in ferro
per alloggiamento pianta
*Pot in glossy faced panel
With waterproof iron basket
for plant placement*
H.175 x P.50 cm

7V1/N

Vaso in nobilitato opaco
Con cesta impermeabile in ferro
per alloggiamento pianta
*Pot in opaque faced panel
With waterproof iron basket f
or plant placement*
H.175 x P.50 cm

7V2/L

Vaso in nobilitato lucido
Con cesta impermeabile in ferro
per alloggiamento pianta
*Pot in glossy faced panel
With waterproof iron basket
for plant placement*
H.120 x P.50 cm

7V2/N

Vaso in nobilitato opaco
Con cesta impermeabile in ferro
per alloggiamento pianta
*Pot in opaque faced panel
With waterproof iron basket
for plant placement*
H.120 x P.50 cm

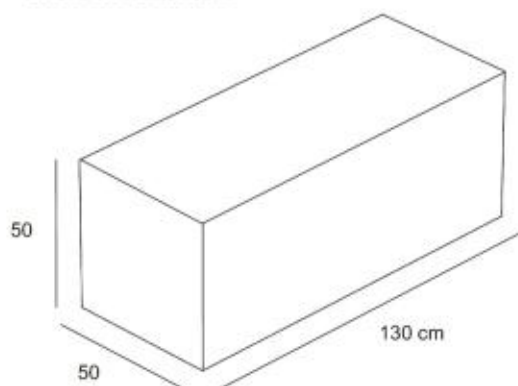
7V3/L

Vaso in nobilitato lucido
Con cesta impermeabile in ferro per
alloggiamento pianta
*Pot in glossy faced panel
With waterproof iron basket for plant
placement*
H.80 x P.50 cm

7V3/N

Vaso in nobilitato opaco
Con cesta impermeabile in ferro per
alloggiamento pianta
*Pot in opaque faced panel
With waterproof iron basket for plant
placement*
H.80 x P.50 cm

**PANCHE ESPOSITIVE
DISPLAYS BENCHES**



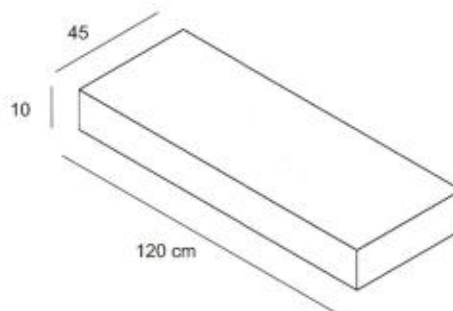
7POU/L

Panca in nobilitato lucido
Bench in glossy faced panel
L.130 x P.50 x H.50 cm

7POU/N

Panca in nobilitato opaco
Bench in opaque faced panel
L.130 x P.50 x H.50 cm

**PEDANA
PLATFORM**

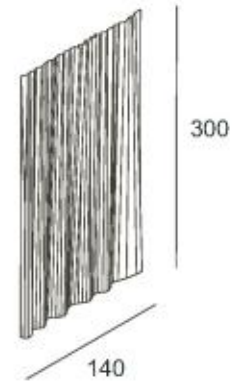


7PED/L

Pedana in nobilitato lucido
Platform in glossy faced panel
L.120 x P.45 x H.10 cm

7PED/N

Pedana in nobilitato opaco
Platform in opaque faced panel
L.120 x P.45 x H.10 cm



7TE/V
Tenda camerino doppia
in velluto stropicciato e tafetà
*Double fitting room curtain
in velvet and taffetà*
L.140 x H.300 cm



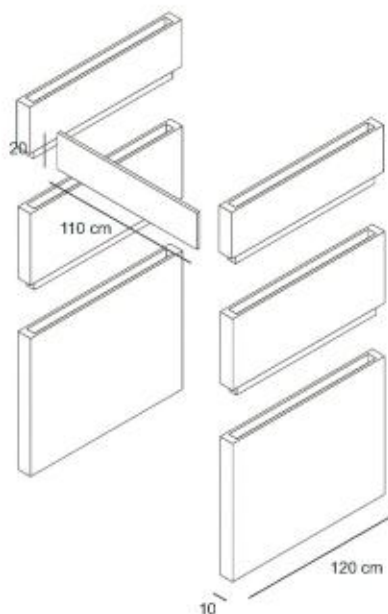
7GT
Gancio ferma tenda in metallo
Curtain hanger in metal
L.10 x P.10 cm



7GA
Gancio appendiabiti in metallo
Clothes hanger in metal
L.10 cm

**CAMERINO
FITTING ROOM**

7CAMF/L
Frontale camerino con tubo
tenda in metallo
Finitura nobilitata lucido
*Fitting room frontal
with curtain tube in metal
Glossy faced panel finishing*
L.110 x H.20 cm

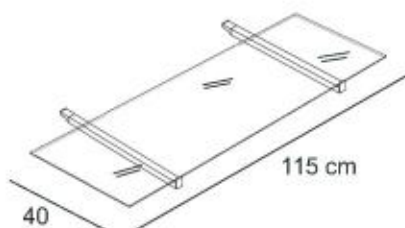


7CAM3/L
Modulo parete camerino
Finitura nobilitata lucido
*Fitting room module side wall
Glossy faced panel finishing*
L.10 x P.120 x H.25 cm

7CAM2/L
Modulo parete camerino
Finitura nobilitata lucido
*Fitting room module side wall
Glossy faced panel finishing*
L.10 x P.120 x H.50 cm

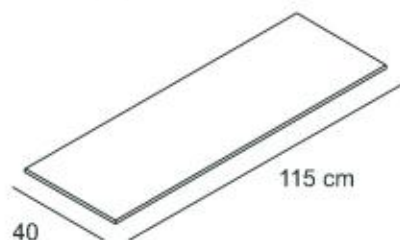
7CAM1/L
Modulo parete camerino
Finitura nobilitata lucido
*Fitting room module side wall
Glossy faced panel finishing*
L.10 x P.120 x H.100 cm

ACCESSORI
ACCESSORIES



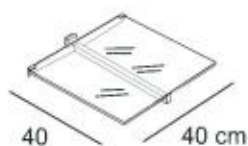
7ME/V

Mensola in vetro con coppia staffe in metallo (cromo opaco)
Glass shelf with metal brackets (opaque chromium)
L. 115 x P40 cm sp. 8 mm



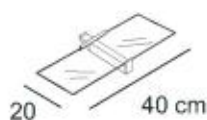
7ME/L

Mensola in nobilitato lucido con coppia staffe in metallo (cromo opaco)
Shelf in glossy faced panel with metal brackets (opaque chromium)
L. 115 x P40 cm sp. 18 mm



7MEM/V

Mensola in vetro con staffa in metallo (cromo opaco)
Glass shelf with metal bracket (opaque chromium)
L. 40 x P40 cm sp. 8 mm



7MES/V

Mensola in vetro con staffa in metallo (cromo opaco)
Glass shelf with metal bracket (opaque chromium)
L. 40 x P20 cm sp. 18 mm



7APF1

Appendice frontale dritta in metallo
finitura cromo lucido
*Straight frontal crossbar in metal,
glossy chromium finishing*
L. 31 cm



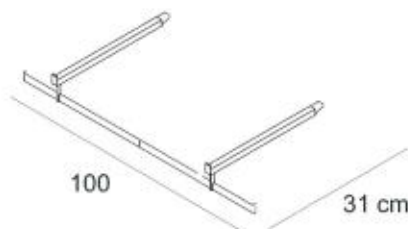
7APF2

Appendice frontale dritta in metallo
finitura cromo lucido
*Straight frontal crossbar in metal,
glossy chromium finishing*
L. 16 cm



7APFZ

Appendice frontale inclinata in metallo
finitura cromo lucido
*Tilted frontal crossbar in metal,
glossy chromium finishing*
L. 33 cm



7BAP

Barra appendice completo di reggi mensola in metallo
finitura cromo lucido
*Crossbar with shelf brackets in metal,
glossy chromium finishing*
L. 100 x P31 cm



CARTELLA COLORI - COLOUR CARD

NOBILITATI - FACED PANELS



BIANCO LUCIDO
GLOSSY WHITE



NERO LUCIDO
GLOSSY BLACK



ROVERE SEGHEGGIATO
SCRATCHED OAK



ROVERE TAVOLATO
BOARDING OAK

VELLUTI - VELVETS



BEIGE
BEIGE



BORDEAUX
BORDEAUX



NERO
BLACK

**RASO
SATIN**



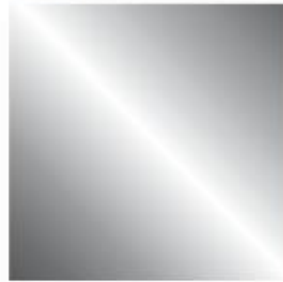
AVORIO
IVORY

**VETRO TEMPERATO
TEMPERED GLASS**



TRASPARENTE
CLEAR

**METALLO
METAL**



CROMO LUCIDO
GLOSSY CHROMIUM

7|LINEASETTE - PRICE LIST

CODE	DESCRIPTION	PRICE	JUST IN TIME	PAGE
------	-------------	-------	--------------	------

CASH COUNTERS

7BC2	Cash counter with structure in glossy faced panel UV-painted (Black/White). Extruded cubes in opaque faced panel with internal compartments and drawers. With glass case. L.160xP.80xH.100cm	3040.00		4
------	--	---------	--	---



7BC1	Cash counter Miniature: table side in glossy faced panel UV-painted (Black/White) with drawer and glass case. With laquered legs (glossy Black/White). Desk in opaque faced panel, with internal compartments and drawers. L.75xP.60xH.85cm	3853.00		5
------	---	---------	--	---



7BC1V/L	Pot in glossy faced panel UV-painted (Black/White) with internal compartments. With waterproof iron basket for plant placement. L.60xP.60xH.85cm	671.00		5
---------	--	--------	--	---

7BC1V/N	Pot in opaque faced panel with internal compartments. With waterproof iron basket for plant placement. L.60xP.60xH.85cm	602.00		5
---------	---	--------	--	---

BACK - CASH MODULE

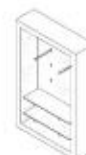
7RC/L	Back-cash module in glossy faced panel UV-painted (Black/White). With two drawers and two doors. L.100xP.50xH.100cm	602.00	*	6
-------	---	--------	---	---



7RC/N	Back-cash module in opaque faced panel. With two drawers and two doors. L.100xP.50xH.100cm	556.00		6
-------	--	--------	--	---

WARDROBES

7ARM/L	Wardrobe with internal lighting. With square stud fixing system. Outer and internal surfaces in glossy faced panel UV-painted (Black/White). L.125xP.50xH.230cm	2358.00		8
--------	---	---------	--	---



7ARM/M	Wardrobe with internal lighting. With square stud fixing system. Outer and internal surfaces in opaque faced panel. L.125xP.50xH.230cm	1896.00		8
--------	--	---------	--	---

7ARM/LN	Wardrobe with internal lighting. With square stud fixing system. Outer surfaces in glossy faced panel UV-painted (Black/White); top, bottom and back in opaque faced panel. L.125xP.50xH.230cm	2167.00		8
---------	--	---------	--	---

PANELS

7PA1	Back-lighted panel in glossy faced panel UV-painted (Black/White), with top and bottom insets in opaque faced panel, with square stud fixing system. L.120xH.120cm	968.00	*	9
------	--	--------	---	---



7PA2	Back-lighted panel in glossy faced panel UV-painted (Black/White), with square stud fixing system. L.120xH.50cm	587.00	*	9
------	---	--------	---	---

7PA3	Top or bottom inset in opaque faced panel. L.120xH.15cm	58.00		9
------	---	-------	--	---

7PA4	Intermediate inset in opaque faced panel. L.120xH.20cm	67.00		9
------	--	-------	--	---



TABLES

7TAV1/L	"Matrioska" large table with glossy lacquered legs and top in glossy faced panel UV-painted (Black/White). L.160xP.80xH.85cm	1149.00	*	12
---------	--	---------	---	----

7TAV2/L	"Matrioska" medium table with glossy lacquered legs and top in glossy faced panel UV-painted (Black/White). L.120xP.50xH.60cm	896.00	*	12
---------	---	--------	---	----

7TAV3/L	"Matrioska" small table with glossy lacquered legs and top in glossy faced panel UV-painted (Black/White). L.100xP.50xH.40cm	774.00	*	12
---------	--	--------	---	----

7TD/L	Desk-table with glossy lacquered legs and top in glossy faced panel UV-painted (Black/White). L.80xP.60xH.85cm	981.00	*	12
-------	--	--------	---	----



ISLANDS

7ISA	Self-standing island for centre room in glossy faced panel UV-painted (Black/White). With three square studs. With crossbar in metal, glossy chromium finishing. With waterproof basket for plant placement. L.165xP.50xH.160cm	1295.00		14
------	---	---------	--	----

7ISB	Self-standing island for wall in glossy faced panel UV-painted (Black/White). With four square studs. With crossbar in metal, glossy chromium finishing. With waterproof basket for plant placement. L.165xP.50xH.175cm	1326.00	*	14
------	---	---------	---	----



TOTEM				
7TO	Wall totem in glossy faced panel UV-painted (Black/White). With waterproof basket for plant placement. With four square studs. L.50xP.50xH.175cm	732.00	*	15

STENDERS				
7ST1	Base in glossy faced panel UV-painted (Black/White). With crossbar tube in metal, glossy chromium finishing. L.120xP.45xH.160cm	594.00	*	16
7ST2	Base in glossy faced panel UV-painted (Black/White). With crossbar tube in metal, glossy chromium finishing. L.45xP.45xH.160cm	419.00	*	16

POTS				
7V1/L	Pot in glossy faced panel UV-painted (Black/White). With waterproof basket for plant placement. H.175cm	607.00		17
7V1/N	Pot in opaque faced panel. With waterproof basket for plant placement. H.175cm	482.00		17
7V2/L	Pot in glossy faced panel UV-painted (Black/White). With waterproof basket for plant placement. H.120cm	486.00		17
7V2/N	Pot in opaque faced panel. With waterproof basket for plant placement. H.120cm	395.00		17
7V3/L	Pot in glossy faced panel UV-painted (Black/White). With waterproof basket for plant placement. H.80cm	395.00		17
7V3/N	Pot in opaque faced panel. With waterproof basket for plant placement. H.80cm	354.00		17

DISPLAY BENCHES				
7POU/L	Bench in glossy faced panel UV-painted (Black/White). L.130xP.50xH.50cm	335.00		17
7POU/N	Bench in opaque faced panel. L.130xP.50xH.50cm	297.00		17

PLATFORM				
7PED/L	Platform in glossy faced panel UV-painted (Black/White). L.120xP.45xH.10cm	198.00	*	17
7PED/N	Platform in opaque faced panel. L.120xP.45xH.10cm	183.00		17

CHANGING ROOM				
7CAM1/L	Fitting room module side wall in glossy faced panel UV-painted (Black/White). L.10xP.120xH.100cm	503.00		18
7CAM2/L	Fitting room module side wall in glossy faced panel UV-painted (Black/White). L.10xP.120xH.50cm	328.00		18
7CAM3/L	Fitting room module side wall in glossy faced panel UV-painted (Black/White). L.10xP.120xH.25cm	175.00		18
7CAMFIL	Fitting room frontal in glossy faced panel UV-painted (Black/White). With curtain tube in metal. L.110xH.20cm	120.00		18

7TE/V	Double fitting room curtain in velvet and taftà (bi-material). L.140xH.300cm	587.00		18
7GT	Curtain hanger in metal. L.10xP.10cm	53.00		18
7GA	Clothes hanger in metal. L.10cm	49.00		18

ACCESSORI				
7ME/V	Tempered glass shelf. L.115xP.40cm, sp.8mm	67.00	*	19
7RME/V	Pair of brackets for glass shelf in glossy chromium. L.30cm.	59.00	*	19
7ME/L	Shelf in glossy faced panel (WHITE/BLACK). L.115xP.40cm, sp.18mm	84.00	*	19
7RME/L	Pair of brackets for wood shelf in glossy chromium. L.30cm.	59.00	*	19
7MEM/V	Tempered glass shelf. L.40xP.40cm, sp.8mm	36.50	*	19
7RMEM/V	Cross bracket in glossy chromium. For 8mm glass shelf L.40xP.40cm.	70.00	*	19
7MES/V	Tempered glass shelf. L.40xP.20cm, sp.8mm	36.50	*	19
7RMES/V	Cross bracket in glossy chromium. For 8mm glass shelf L.40xP.20cm.	47.00	*	19
7APF1	Straight frontal crossbar for square stud (glossy chromium finishing). L.31cm	42.50	*	19
7APF2	Straight frontal crossbar for square stud (glossy chromium finishing). L.16cm	33.50	*	19
7APFZ	Tilted frontal crossbar for square stud (glossy chromium finishing). L.38cm	82.00	*	19
7BAP	Crossbar complete with brackets for shelf. In metal (glossy chromium finishing). L.115xP.31cm. Glass not included.	157.00	*	19
7BAP2	Cross bar in glossy chromium. L.115xP.31cm	149.00	*	19



Preise ab unseren Lokalitäten. Preisänderung vorbehalten.
Diese Preisliste annulliert die vorhergehende.
Lieferfrist ca. 4 Wochen ab Auftragsbestätigung. **Exkl. MwSt**
Fotos, Farben und Grössen können vom Original abweichen.

Prix départ de nos locaux. Sous réserve de modifications. **TVA non incluse**
La présente liste annule et remplace toute précédente liste.
Délai de livraison hors stock, env. 4 sem. dès confirmation commande.
Photos, couleurs et mesures non contractuelles.

DITTA DISPLAY
info@dittadisplay.ch
www.dittadisplay.ch

TMC Galleria, Thurgauerstr. 119,
8152 Glattpark / Opfikon ZH
TEL 043 495 06 61 FAX 043 495 06 62

Ch. des Champs-Courbes 1,
ZI En Vallaire Est, 1024 Ecublens VD
TEL 021 691 12 12 FAX 021 691 13 13