

Ladeneinrichtungen und Zubehör
Agencement de magasins et fournitures



8
LINEAOTTO



DITTA DISPLAY
info@dittadisplay.ch
www.dittadisplay.ch

TMC Galleria, Thurgauerstr. 119,
8152 Glattpark / Opfikon ZH
TEL 043 495 06 61 FAX 043 495 06 62

Ch. des Champs-Courbes 1,
ZI En Vallaire Est, 1024 Ecublens VD
TEL 021 691 12 12 FAX 021 691 13 13



2 | LINEAOTTO

DITTA DISPLAY
info@dittadisplay.ch
www.dittadisplay.ch

TMC Galleria, Thurgauerstr. 119,
8152 Glattpark / Opfikon ZH
TEL 043 495 06 61 FAX 043 495 06 62

Ch. des Champs-Courbes 1,
ZI En Vallaire Est, 1024 Ecublens VD
TEL 021 691 12 12 FAX 021 691 13 13

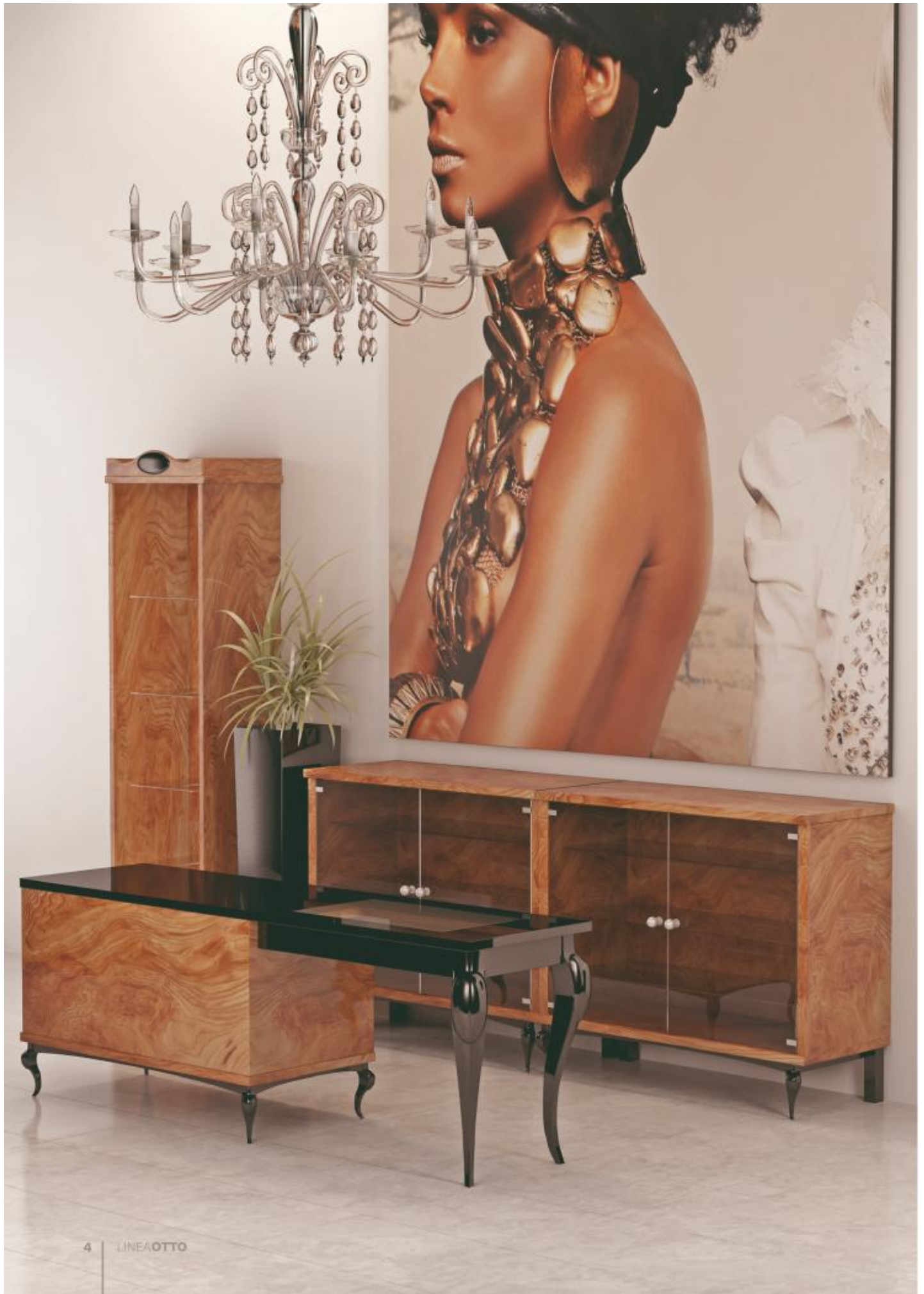


3

DITTA DISPLAY
info@dittadisplay.ch
www.dittadisplay.ch

TMC Galleria, Thurgauerstr. 119,
8152 Glattpark / Opfikon ZH
TEL 043 495 06 61 FAX 043 495 06 62

Ch. des Champs-Courbes 1,
ZI En Vallaire Est, 1024 Ecublens VD
TEL 021 691 12 12 FAX 021 691 13 13



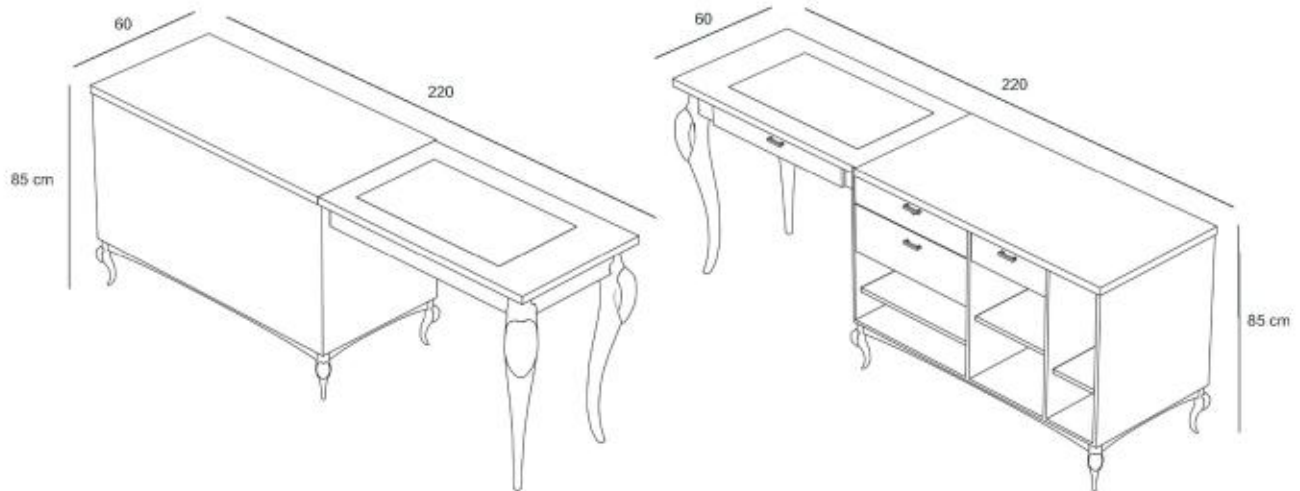
4 | LINEAOTTO

DITTA DISPLAY
info@dittadisplay.ch
www.dittadisplay.ch

TMC Galleria, Thurgauerstr. 119,
8152 Glattpark / Opfikon ZH
TEL 043 495 06 61 FAX 043 495 06 62

Ch. des Champs-Courbes 1,
ZI En Vallaire Est, 1024 Ecublens VD
TEL 021 691 12 12 FAX 021 691 13 13

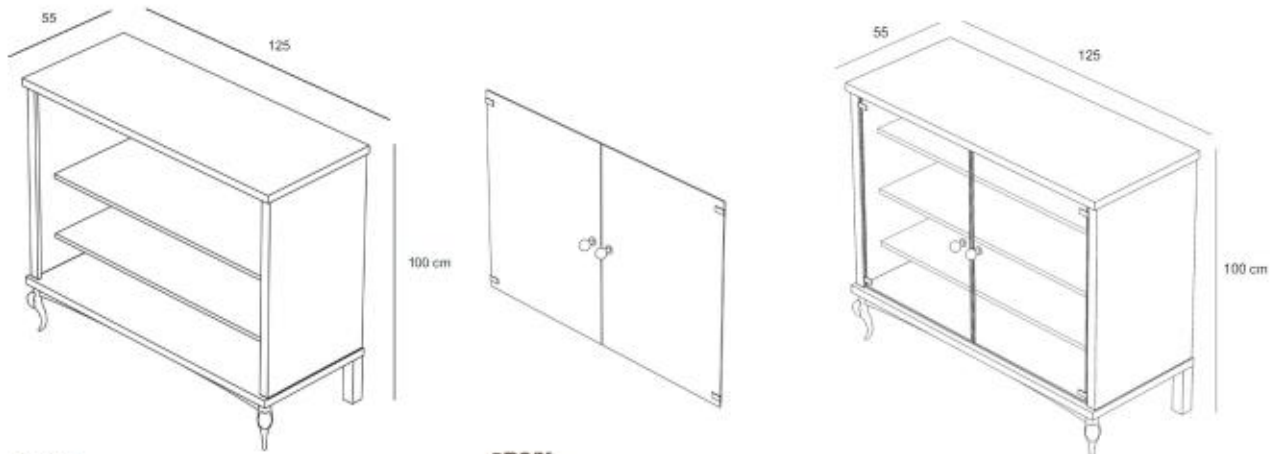
BANCHI CASSA
CASH COUNTERS



8BC1

Banco cassa
Porzione tavolo in nobilitato lucido
con vetro ad incastro
Desk in nobilitato opaco
Cash counter
Table side in glossy faced panel
with recessed glass
Desk in opaque faced panel
L.220 x P.60 x H.85 cm

MODULO RETRO CASSA
BACK-CASH MODULE



8RC/L

Modulo retro cassa in nobilitato lucido
Con piedini laccati bianco/nero lucido
Back-Cash module in glossy faced panel
With glossy white/black lacquered legs
L.125 x P.55 x H.100 cm

8RC/V

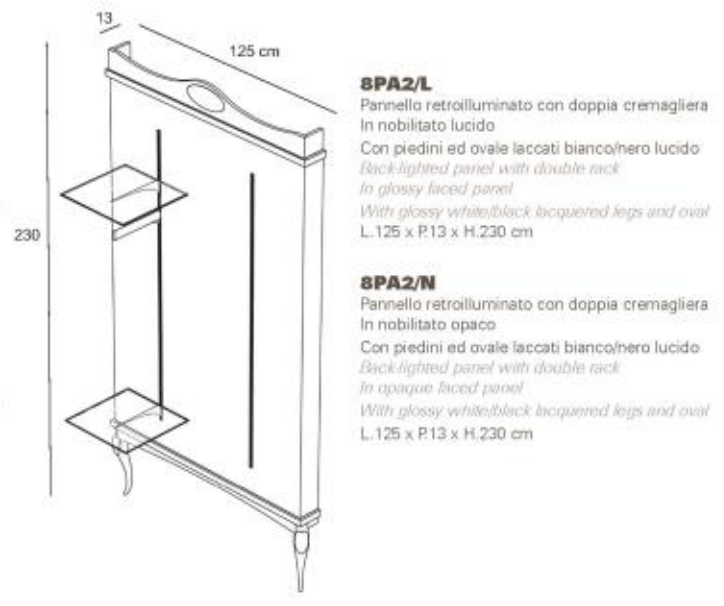
Coppia ante in vetro temperato per modulo retro cassa
Pair of tempered glass doors for back cash module

8RC/N

Modulo retro cassa in nobilitato opaco
Con piedini laccati bianco/nero lucido
Back-Cash module in opaque faced panel
With glossy white/black lacquered legs
L.125 x P.55 x H.100 cm



PANNELLI
PANNELLS

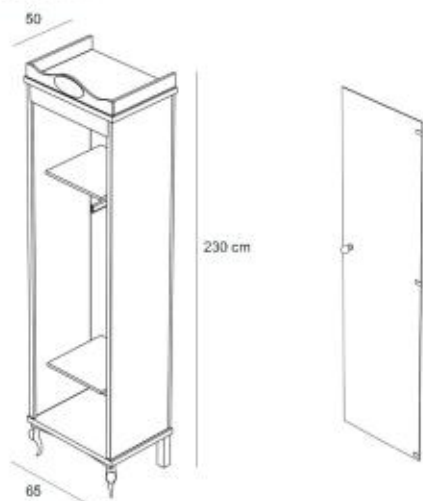


PEDANA INGINOCCHIATOIO
KNEELER PLATFORM



6 LINEA OTTO

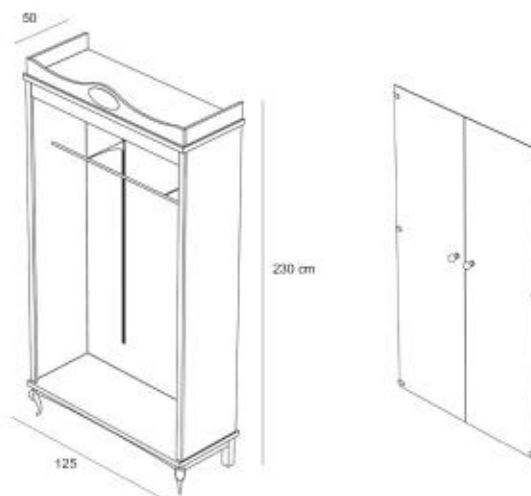
**ARMADI
WARDROBES**



8ARM1/L
Armadio con illuminazione interna con cremagliera singola
in nobilitato lucido con piedini ed ovale laccati bianco/nero lucido
*Wardrobe with internal lighting with single rack
In glossy faced panel with glossy white/black lacquered legs and oval*
L.65 x P.50 x H.230 cm

8ARM1/N
Armadio con illuminazione interna con cremagliera singola
in nobilitato opaco con piedini ed ovale laccati bianco/nero lucido
*Wardrobe with internal lighting with single rack
In opaque faced panel with glossy white/black lacquered legs and oval*
L.65 x P.50 x H.230 cm

8ARM1/V
Anta in vetro temperato per armadio
Tempered glass door for wardrobe



8ARM2/L
Armadio con illuminazione interna con doppia cremagliera
in nobilitato lucido con piedini ed ovale laccati bianco/nero lucido
*Wardrobe with internal lighting with double rack
In glossy faced panel with glossy white/black lacquered legs and oval*
L.125 x P.50 x H.230 cm

8ARM2/N
Armadio con illuminazione interna con doppia cremagliera
in nobilitato opaco con piedini ed ovale laccati bianco/nero lucido
*Wardrobe with internal lighting with double rack
In opaque faced panel with glossy white/black lacquered legs and oval*
L.125 x P.50 x H.230 cm

8ARM2/V
Coppia ante in vetro temperato per armadio
Pair of tempered glass doors for wardrobe





8 | LINEAOTTO

DITTA DISPLAY
info@dittadisplay.ch
www.dittadisplay.ch

TMC Galleria, Thurgauerstr. 119,
8152 Glattpark / Opfikon ZH
TEL 043 495 06 61 FAX 043 495 06 62

Ch. des Champs-Courbes 1,
ZI En Vallaire Est, 1024 Ecublens VD
TEL 021 691 12 12 FAX 021 691 13 13



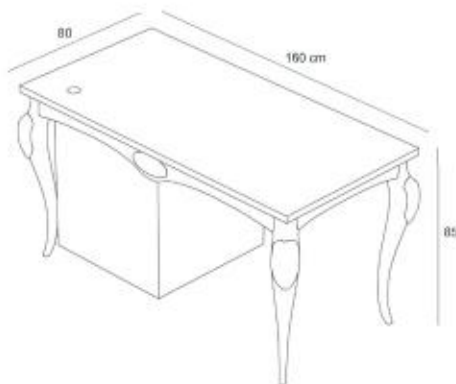
DITTA DISPLAY
info@dittadisplay.ch
www.dittadisplay.ch

TMC Galleria, Thurgauerstr. 119,
8152 Glattpark / Opfikon ZH
TEL 043 495 06 61 FAX 043 495 06 62

Ch. des Champs-Courbes 1,
ZI En Vallaire Est, 1024 Ecublens VD
TEL 021 691 12 12 FAX 021 691 13 13



TAVOLO CASSA
CASH TABLE



8TC/L

Tavolo cassa con gambe tornite con vano porta PC e ripiani
Piano in nobilitato lucido, gambe laccate lucide
Struttura esterna vano in nobilitato lucido
Cash table with glossy lacquered legs and glossy faced top
With PC compartment and shelves
Compartment external structure in glossy faced panel
L.160 x P.80 x H.85 cm



8TC/LN

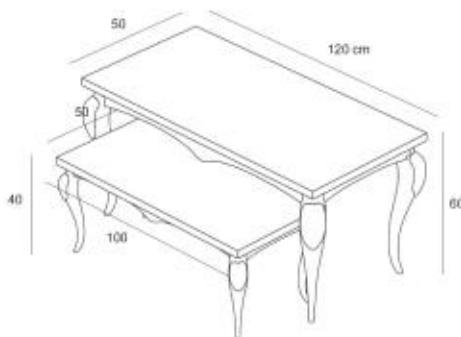
Tavolo cassa con gambe tornite con vano porta PC e ripiani
Piano in nobilitato lucido, gambe laccate lucide
Struttura esterna vano in nobilitato opaco
Cash table with glossy lacquered legs and glossy faced top
With PC compartment and shelves
Compartment external structure in opaque faced panel
L.160 x P.80 x H.85 cm

TAVOLI
TABLES



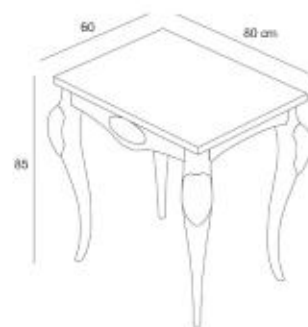
STAV1/L

Tavolo matrioska grande con gambe tornite piano in nobilitato lucido, gambe laccate lucide
"Matrioska" large table with glossy lacqued legs and glossy faced top
L. 160 x P. 80 x H. 85 cm



STAV2/L

Tavolo matrioska medio con gambe tornite piano in nobilitato lucido, gambe laccate lucide
"Matrioska" medium table with glossy lacqued legs and glossy faced top
L. 120 x P. 50 x H. 60 cm



STD/L

Tavolo-desk con gambe tornite piano in nobilitato lucido, gambe laccate lucide
Desk-table with glossy lacqued legs and glossy faced top
L. 80 x P. 60 x H. 85 cm

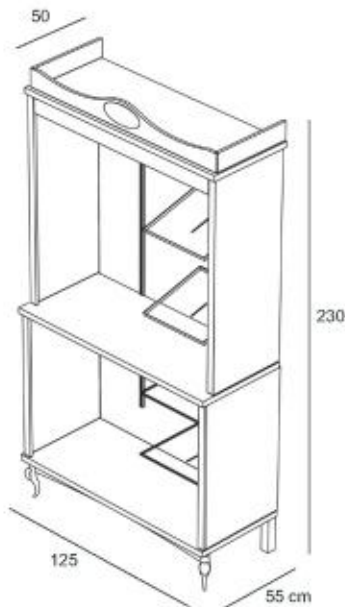
STAV3/L

Tavolo matrioska piccolo con gambe tornite piano in nobilitato lucido, gambe laccate lucide
"Matrioska" small table with glossy lacqued legs and glossy faced top
L. 100 x P. 50 x H. 40 cm





CREDENZA
CUPBOARD

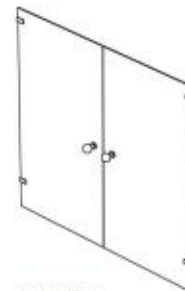


SCRE/L

Credenza con illuminazione interna
Con doppia cremagliera
In nobilitato lucido
Con piedini ed ovale laccati bianco/nero lucido
*Cupboard with internal lighting
With double rack
In glossy faced panel
With glossy white/black lacquered legs and oval*
L.125 x P.55 x H.230 cm

SCRE/N

Credenza con illuminazione interna
Con doppia cremagliera
In nobilitato opaco
Con piedini ed ovale laccati bianco/nero lucido
*Cupboard with internal lighting
With double rack
In opaque faced panel
With glossy white/black lacquered legs and oval*
L.125 x P.55 x H.230 cm



SCRE1/V

Coppia ante in vetro temperato per parte superiore credenza
Pair of tempered glass doors for cupboard's top

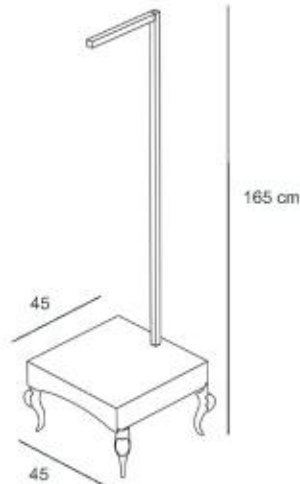


SCRE2/V

Coppia ante in vetro temperato per parte inferiore credenza
Pair of tempered glass doors for cupboard's bottom

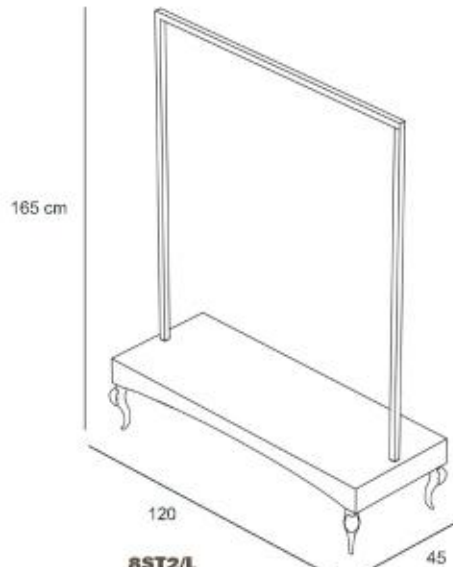
12 | LINEAOTTO

STENDERS
STENDERS



8ST1/L
Base in nobilitato lucido
Con piedini laccati bianco/nero lucido
Tubo appendere in acciaio spazzolato
Base in glossy faced panel
With glossy white/black lacquered legs
Crossbar tube in metal, brushed steel finishing
L.45 x P.45 x H.165 cm

8ST1/N
Base in nobilitato opaco
Con piedini laccati bianco/nero lucido
Tubo appendere in acciaio spazzolato
Base in opaque faced panel
With glossy white/black lacquered legs
Crossbar tube in metal, brushed steel finishing
L.45 x P.45 x H.165 cm

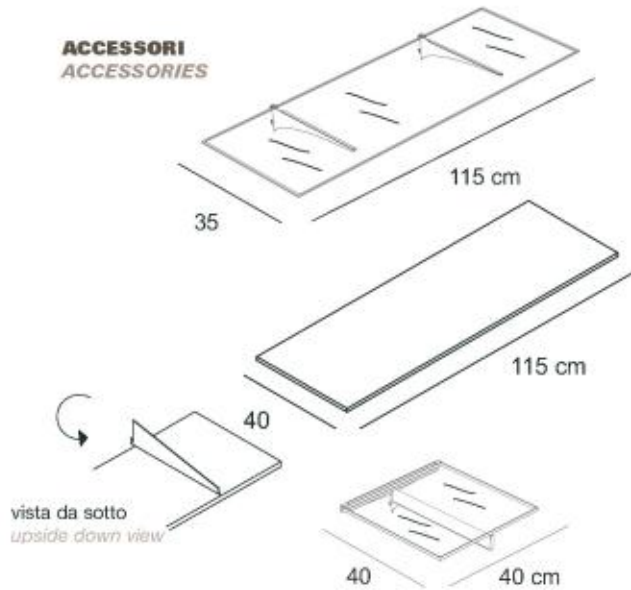


8ST2/L
Base in nobilitato lucido
Con piedini laccati bianco/nero lucido
Tubo appendere in acciaio spazzolato
Base in glossy faced panel
With glossy white/black lacquered legs
Crossbar tube in metal, brushed steel finishing
L.120 x P.45 x H.165 cm

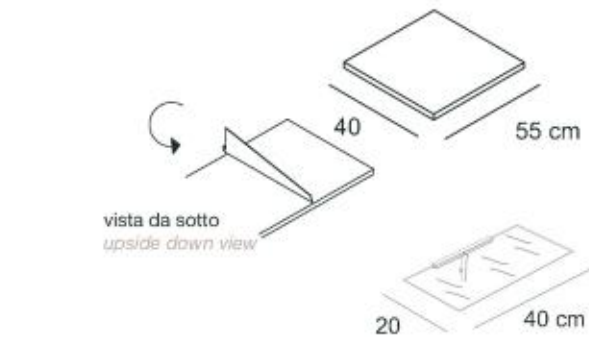
8ST2/N
Base in nobilitato opaco
Con piedini laccati bianco/nero lucido
Tubo appendere in acciaio spazzolato
Base in opaque faced panel
With glossy white/black lacquered legs
Crossbar tube in metal, brushed steel finishing
L.125 x P.45 x H.165 cm



ACCESSORI
ACCESSORIES



SME/V
Mensola in vetro con coppia staffe in metallo (cromo opaco)
Glass shelf with metal brackets (opaque chromium)
L. 115 x P.40 cm sp. 8 mm



SME/M/V
Mensola in vetro con staffa in metallo (cromo opaco)
Glass shelf with metal bracket (opaque chromium)
L. 40 x P.40 cm sp. 8 mm



SME/M/L
Mensola in nobilitato lucido con staffa in metallo (cromo opaco)
Shelf in glossy faced panel with metal bracket (opaque chromium)
L. 55 x P.40 cm sp. 18 mm



SME/S/V
Mensola in vetro con staffa (cromo opaco)
Glass shelf with metal bracket (opaque chromium)
L. 40 x P.20 cm sp. 18 mm



SME/S/L
Mensola in nobilitato lucido con staffa in metallo (cromo opaco)
Shelf in glossy faced panel with metal bracket (opaque chromium)
L. 35 x P.20 cm sp. 8 mm



SAPF
Appendere frontale dritta in metallo (cromo opaco)
Straight frontal crossbar (opaque chromium)
L. 30 cm



SAPFZ
Appendere frontale inclinata in metallo (cromo opaco)
Tilted frontal crossbar (opaque chromium)
L. 38 cm



SBAP
Barra appendere in metallo (cromo opaco)
Crossbar (opaque chromium)
L. 115 x P.30 cm



SMEZ
Staffa reggi mensola inclinata in metallo (cromo opaco)
Per mensola in vetro
Tilted bracket for shelf (opaque chromium)
For glass shelf



14 LINEAOTTO

CARTELLA COLORI - COLOUR CARD

NOBILITATI - FACED PANELS



BIANCO LUCIDO
GLOSSY WHITE



NERO LUCIDO
GLOSSY BLACK



RADICA
BRIAR ROOT FINISHING



RADICA BIANCA
WHITE BRIAR ROOT FINISHING

VETRO TEMPERATO - TEMPERED GLASS



TRASPARENTE
CLEAR

PLEXIGLASS



TRASPARENTE
TRANSPARENT

METALLO - METAL



CROMO OPACO
OPAQUE CHROMIUM

8|LINEAOTTO - PRICE LIST

CODE	DESCRIPTION	PRICE	JUST IN TIME	PAGE
CASH COUNTER				
8BC1	Cash counter Minotauro. Table side in glossy faced panel UV-painted (Black/White) with drawer and glass case. With laquered legs (glossy Black/White). Desk in opaque faced panel with laquered legs (glossy Black/White), with internal compartments and drawers. L.220xP.60xH.85cm	4'168.00		5
BACK-CASH MODULE				
8RCIL	Back-Cash module in glossy faced panel UV-painted (Black/White). With glossy white/black lacquered legs. L.125xP.55xH.100cm	1'158.00		5
8RCIN	Back-Cash module in opaque faced panel. With glossy white/black lacquered legs. L.125xP.55xH.100cm	1'052.00		5
8RCIV	Pair of tempered glass doors for back cash module.	285.00		5
PANELS				
8PA1/L	Back-lighted panel with single rack. In glossy faced panel UV-painted (Black/White). With glossy white/black lacquered legs and oval. L.65xP.13xH.230cm	902.00	*	6
8PA1/N	Back-lighted panel with single rack. In opaque faced panel. With glossy white/black lacquered legs and oval. L.65xP.13xH.230cm	831.00		6
8PA2/L	Back-lighted panel with double rack. In glossy faced panel UV-painted (Black/White). With glossy white/black lacquered legs and oval. L.125xP.13xH.230cm	1'212.00	*	6
8PA2/N	Back-lighted panel with double rack. In opaque faced panel. With glossy white/black lacquered legs and oval. L.125xP.13xH.230cm	1'103.00		6
KNEELER PLATFORM				
8PED/L	Platform with plane in glossy faced panel UV-painted (Black/White). With glossy white/black lacquered legs. L.100xP.45xH.25cm	585.00	*	6
8PED/N	Platform with plane in opaque faced panel. With glossy (Black/White) lacquered legs. L.100xP.45xH.25cm	533.00		6
WARDROBES				
8ARM1/L	Wardrobe with internal lighting and single rack. In glossy faced panel UV-painted (Black/White). With glossy white/black lacquered legs and oval. L.65xP.50xH.230cm	1'494.00	*	7
8ARM1/N	Wardrobe with internal lighting and single rack. In opaque faced panel. With glossy white/black lacquered legs and oval. L.65xP.50xH.230cm	1'314.00		7
8ARM1/V	Tempered glass door for wardrobe	277.00		7
8ARM2/L	Wardrobe with internal lighting and double rack. In glossy faced panel UV-painted (Black/White). With glossy white/black lacquered legs and oval. L.125xP.50xH.230cm	1'951.00	*	7
8ARM2/N	Wardrobe with internal lighting and double rack. In opaque faced panel. With glossy white/black lacquered legs and oval. L.125xP.50xH.230cm	1'591.00		7
8ARM2/V	Pair of tempered glass doors for wardrobe	421.00		7
CASH TABLE				
8TC/L	Cash table with glossy white/black lacquered legs and glossy faced top UV-painted (Black/White). With PC compartment and shelves. Under-table external structure in glossy faced panel. L.160xP.80xH.85cm	2'187.00		10
8TC/N	Cash table with glossy white/black lacquered legs and glossy faced top UV-painted (Black/White). With PC compartment and shelves. Under-table external structure in opaque faced panel. L.160xP.80xH.85cm	2'103.00		10
TABLES				
8TAV1/L	"Matrioska" large table with glossy white/black lacquered legs and oval. Top in glossy faced panel UV-painted (Black/White). L.160xP.80xH.85cm	1'463.00	*	11
8TAV2/L	"Matrioska" medium table with glossy white/black lacquered legs and top in glossy faced panel UV-painted (Black/White). L.120xP.50xH.60cm	1'064.00	*	11
8TAV3/L	"Matrioska" small table with glossy white/black lacquered legs and top in glossy faced panel UV-painted (Black/White). L.100xP.50xH.40cm	861.00	*	11
8TD/L	Desk-table with glossy white/black lacquered legs and oval. Top in glossy faced panel UV-painted (Black/White). L.80xP.60xH.85cm	1'288.00	*	11
CUPBOARD				
8CRE/L	Cupboard with internal lighting and double rack. In glossy faced panel UV-painted (Black/White). With glossy white/black lacquered legs and oval. L.125xP.55xH.230cm	2'042.00		12
8CRE/N	Cupboard with internal lighting and double rack. In opaque faced panel. With glossy white/black lacquered legs and oval. L.125xP.55xH.230cm	1'951.00		12
8CRE1/V	Pair of tempered glass doors for cupboard's top	337.00		12
8CRE2/V	Pair of tempered glass doors for cupboard's bottom	258.00		12



STENDERS				
8ST1/L	Base in glossy faced panel UV-painted (Black/White). With glossy white/black lacquered legs. Crossbar tube in metal, brushed steel finishing. L.45xP.45xH.160cm	716.00		13
8ST1/N	Base in opaque faced panel. With glossy white/black lacquered legs. Crossbar tube in metal, brushed steel finishing. L.45xP.45xH.160cm	686.00		13
8ST2/L	Base in glossy faced panel UV-painted (Black/White). With glossy white/black lacquered legs. Crossbar tube in metal, brushed steel finishing. L.120xP.45xH.160cm	930.00		13
8ST2/N	Base in opaque faced panel. With glossy white/black lacquered legs. Crossbar tube in metal, brushed steel finishing. L.120xP.45xH.160cm	884.00		13

ACCESSORIES				
8BAP	Crossbar (opaque chromium finishing). L.115cm	88.00	*	14
8RMIL	Pair of shelves holder for wood. In matt chromium finishing. L.30cm	36.50	*	14
8MEBAP/L	Pair of shelves holder for wood. With hanging bar hook. In matt chromium finishing. L.30cm	44.00	*	14
8RMML	Single shelf holder in matt chromium finishing.	23.00	*	14
8MEBAP/V	Pair of shelves holder for 8mm glass. With hanging bar hook. In matt chromium finishing. L.30cm	50.00	*	14
8RM/V	Pair of shelves holder for 8mm glass. In matt chromium finishing. L.30cm	41.00	*	14
8RMM/V	Single shelf holder (for medium shelf). For 8mm glass shelf. In matt chromium finishing.	73.00	*	14
8RMS/V	Single shelf holder (for small shelf). For 8mm glass shelf. In matt chromium finishing.	39.50	*	14
8APF	Straight frontal crossbar (opaque chromium finishing). L.30cm	36.50	*	14
8APFZ	Tilted frontal crossbar (opaque chromium finishing). L.38cm	79.00	*	14
8BAP2	Small crossbar in matt chromium finishing. L.40xP.30cm	85.00	*	14
8RT	Holder for oval tube 30x15mm matt chromium finishing.	26.00	*	14
8TUB	Oval tube 30x15mm in matt chromium finishing. Complete with closing claps. L.120cm.	38.00	*	14
8BLIST	Blister holder for oval tube 30x15mm matt chromium finishing.	18.50	*	14
8ME/V	Tempered glass shelf. L.115xP.40cm, sp.8mm	67.00	*	14
8ME/L	Shelf in glossy faced panel UV-painted (Black/White). L.115xP.40cm, sp.18mm	84.00	*	14
8ME/N	Faced panel shelf. L.115xP.40cm, sp.18mm	59.00	*	14
8ME/ST	Shelf in real stone veneer. L.115xP.40cm, sp.18mm	312.00		14
8MEM/V	Tempered glass shelf. L.40xP.40cm, sp.8mm	36.50	*	14
8MEM/L	Shelf in glossy faced panel UV-painted (Black/White). L.55xP.40cm, sp.18mm	61.00	*	14
8MEM/N	Faced panel shelf. L.55xP.40cm, sp.18mm	42.50	*	14
8MEM/ST	Shelf in real stone veneer. L.55xP.40cm, sp.18mm	177.00		14
8MES/V	Tempered glass shelf. L.40xP.20cm, sp.8mm	33.50	*	14
8MES/L	Shelf in glossy faced panel UV-painted (Black/White). L.35xP.20cm, sp.18mm	45.50	*	14
8MES/N	Faced panel shelf. L.35xP.20cm, sp.18mm	32.00	*	14
8MES/ST	Shelf in real stone veneer. L.35xP.20cm, sp.18mm	99.00		14

Preise ab unseren Lokalitäten. Preisänderung vorbehalten.
Diese Preisliste annulliert die vorhergehende.
Lieferfrist ca. 4 Wochen ab Auftragsbestätigung. **Exkl. MwSt**
Fotos, Farben und Grössen können vom Original abweichen.

Prix départ de nos locaux. Sous réserve de modifications. **TVA non incluse**
La présente liste annule et remplace toute précédente liste.
Délai de livraison hors stock, env. 4 sem. dès confirmation commande.
Photos, couleurs et mesures non contractuelles.

DITTA DISPLAY
info@dittadisplay.ch
www.dittadisplay.ch

TMC Galleria, Thurgauerstr. 119,
8152 Glattpark / Opfikon ZH
TEL 043 495 06 61 FAX 043 495 06 62

Ch. des Champs-Courbes 1,
ZI En Vallaire Est, 1024 Ecublens VD
TEL 021 691 12 12 FAX 021 691 13 13