

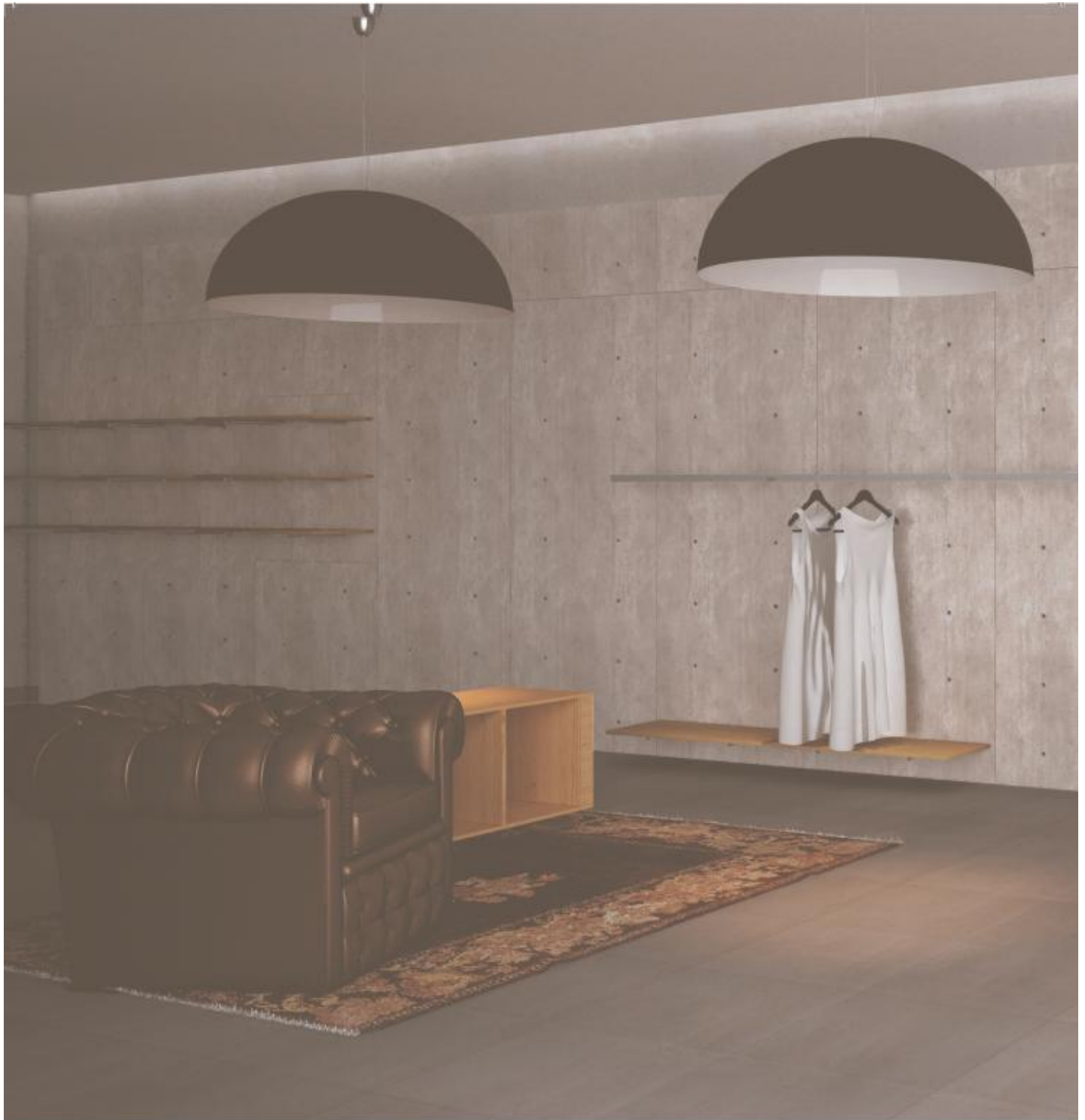
Ladeneinrichtungen und Zubehör
Agencement de magasins et fournitures



DITTA DISPLAY
info@dittadisplay.ch
www.dittadisplay.ch

TMC Galleria, Thurgauerstr. 119,
8152 Glattpark / Opfikon ZH
TEL 043 495 06 61 FAX 043 495 06 62

Ch. des Champs-Courbes 1,
ZI En Vallaire Est, 1024 Ecublens VD
TEL 021 691 12 12 FAX 021 691 13 13



2 | LINEADUE

DITTA DISPLAY
info@dittadisplay.ch
www.dittadisplay.ch

TMC Galleria, Thurgauerstr. 119,
8152 Glattpark / Opfikon ZH
TEL 043 495 06 61 FAX 043 495 06 62

Ch. des Champs-Courbes 1,
ZI En Vallaire Est, 1024 Ecublens VD
TEL 021 691 12 12 FAX 021 691 13 13





4 | LINEADUE

DITTA DISPLAY
info@dittadisplay.ch
www.dittadisplay.ch

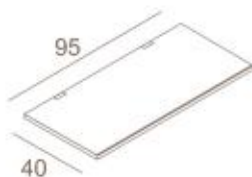
TMC Galleria, Thurgauerstr. 119,
8152 Glattpark / Opfikon ZH
TEL 043 495 06 61 FAX 043 495 06 62

Ch. des Champs-Courbes 1,
ZI En Vallaire Est, 1024 Ecublens VD
TEL 021 691 12 12 FAX 021 691 13 13

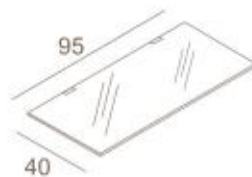




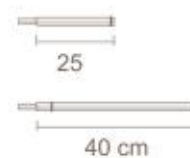
ACCESSORI
ACCESSORIES



2ME/N
Mensola in nobilitato
Shelf in faced panel
L95 x P40 cm



2ME/V
Mensola in vetro temperato
Shelf in tempered glass
L95 x P40 cm



2PP
Perno app. frontale alluminio
Frontal hanging pin aluminium
L25 cm Ø 2 cm

2ME/L
Mensola in nobilitato lucido
Shelf in glossy faced panel
L95 x P40 cm



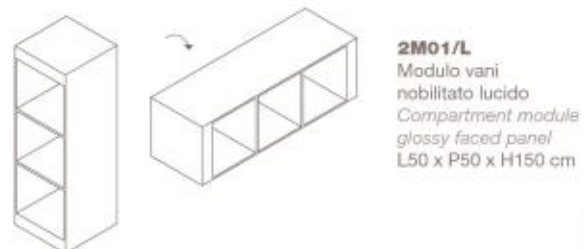
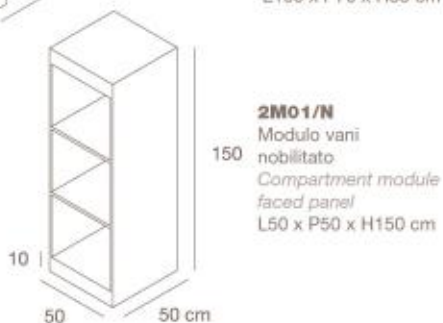
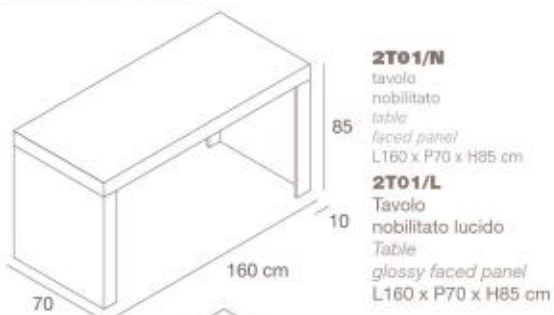
2BAP
Barra appenderia in metallo
Metal crossbar
L95 x H3,5 cm

2PG
Coppia perni alluminio per mensole o
barra appenderia
Pair of supporting pins aluminium for
shelf or crossbar
L40 cm Ø 2 cm

6 | LINEADUE



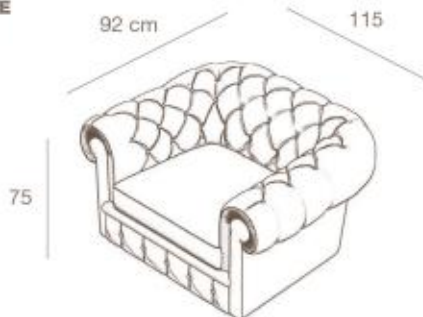
MODULI - TAVOLI
MODULES - TABLES



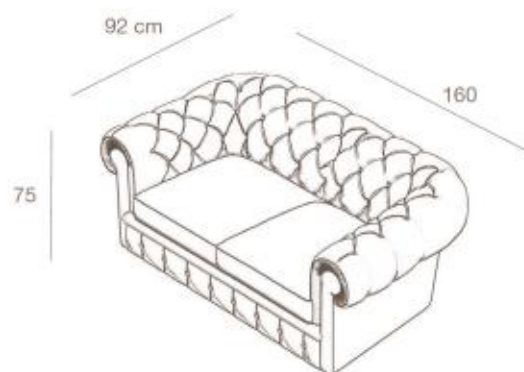
7



SEDUTE
SEATS



2CHES/S
Poltrona
Armchair
L.115 x P. 92 x H.75 cm

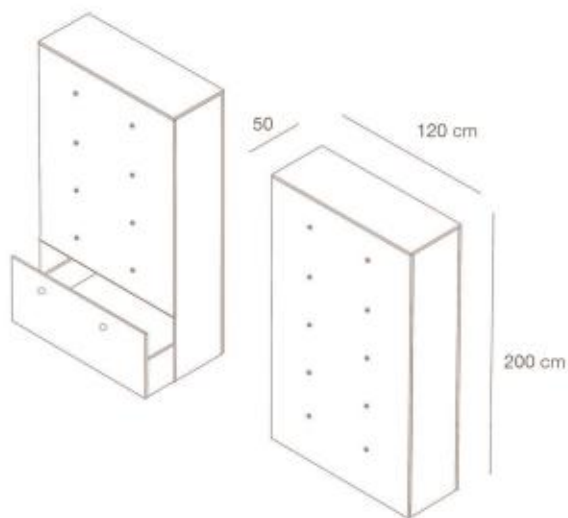


2CHES/L
Divano a due posti
Two seat sofa
L.160 x P. 92 x H.75 cm

8 | LINEADUE



ELEMENTI SELF STANDING
SELF STANDING ELEMENTS



2PAR/N

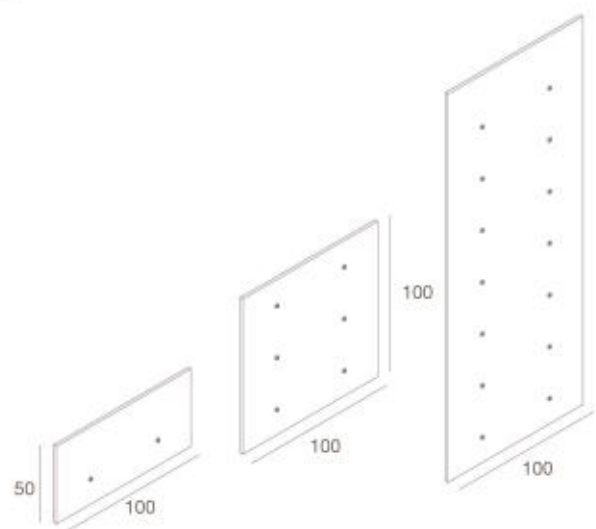
Modulo self standing attrezzabile con cassetto in nobilitato
Self standing element suitale with drawer in faced panel
L.120 x P.50 x H.200 cm

2PAR/L

Modulo self standing attrezzabile con cassetto in nobilitato lucido
Self standing element suitale with drawer in glossy faced panel
L.120 x P.50 x H.200 cm



PANNELLI ATTREZZABILI
EQUIPABLE PANELS



2PA1/N
nobilitato
faced panel
L.100 x H.50 cm

2PA1/L
nobilitato lucido
glossy faced panel
L.100 x H.50 cm

2PA2/N
nobilitato
faced panel
L.100 x H.10 cm

2PA2/L
nobilitato lucido
glossy faced panel
L.100 x H.10 cm

2PA3/N
nobilitato
faced panel
L.100 x H.250 cm

2PA3/L
nobilitato lucido
glossy faced panel
L.100 x H.250 cm

10 | LINEADUE

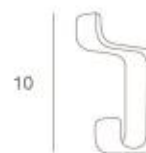


CAMERINI
CHANGING ROOMS

2CAM
Struttura curva in metallo
per camerino
*Curved metal structure
for changing room*
L.100 x P.100 cm



2GA
Gancio appenderia in
metallo
Metal clothes hanger
L.10 cm



2TEV
Tenda
Curtain
L.140 x H.200 cm



2MRR/N
Cornice in nobilitato
Frame in faced panel
L.85 x H.205 cm

2MRR/L
Cornice in nobilitato lucido
Frame in glossy faced panel
L.85 x H.205 cm

11



2 LED

LINEADUE

12 | LINEADUE

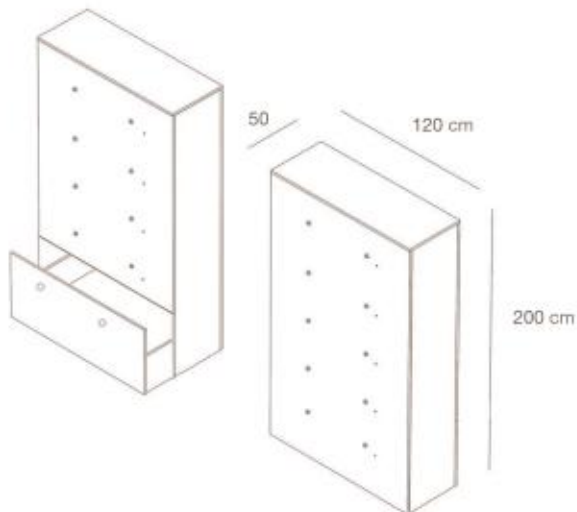
DITTA DISPLAY
info@dittadisplay.ch
www.dittadisplay.ch

TMC Galleria, Thurgauerstr. 119,
8152 Glattpark / Opfikon ZH
TEL 043 495 06 61 FAX 043 495 06 62

Ch. des Champs-Courbes 1,
ZI En Vallaire Est, 1024 Ecublens VD
TEL 021 691 12 12 FAX 021 691 13 13



ELEMENTI SELF STANDING
SELF STANDING ELEMENTS

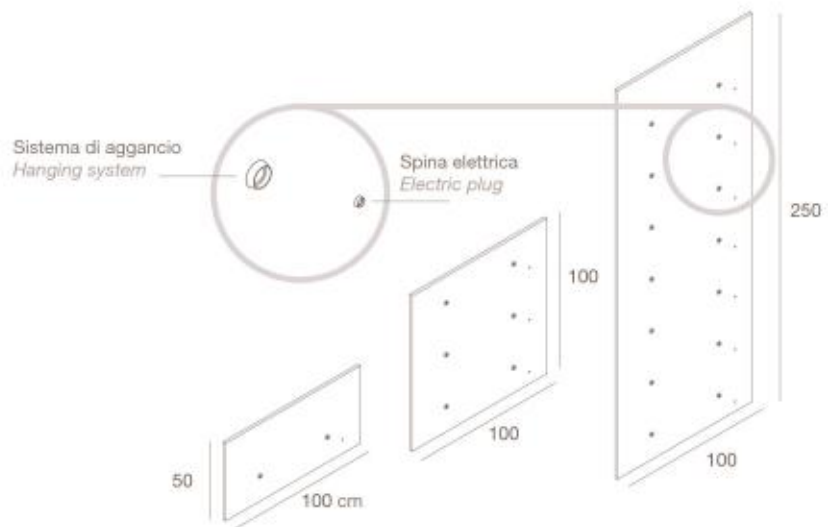


2PAR/NE
 Modulo self standing attrezzabile,
 elettrificato e con cassetto in nobilitato
*Self standing element suitable,
 electrified and with drawer in faced panel*
 L.120 x P.50 x H.200 cm

2PAR/LE
 Modulo self standing attrezzabile,
 elettrificato e con cassetto in nobilitato lucido
*Self standing element suitable,
 electrified and with drawer in glossy faced panel*
 L.120 x P.50 x H.200 cm



PANNELLI ATTREZZABILI LED
LED EQUIPABLE PANELS



14 | LINEADUE

DITTA DISPLAY
info@dittadisplay.ch
www.dittadisplay.ch

TMC Galleria, Thurgauerstr. 119,
8152 Glattpark / Opfikon ZH
TEL 043 495 06 61 FAX 043 495 06 62

Ch. des Champs-Courbes 1,
ZI En Vallaire Est, 1024 Ecublens VD
TEL 021 691 12 12 FAX 021 691 13 13



2PA1/NLED

Pannello in nobilitato con spina per mensola LED
 Faced panel with plug for LED shelves
 L.100x H.50 cm

2PA1/LLED

Pannello in nobilitato lucido con spina per mensola LED
 Glossy faced panel with plug for LED shelves
 L.100x H.50 cm

2PA2/NLED

Pannello in nobilitato con spina per mensola LED
 Faced panel with plug for LED shelves
 L.100x H.100 cm

2PA2/LLED

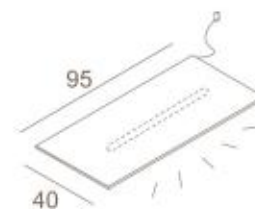
Pannello in nobilitato lucido con spina per mensola LED
 Glossy faced panel with plug for LED shelves
 L.100x H.100 cm

2PA3/NLED

Pannello in nobilitato con spina per mensola LED
 Faced panel with plug for LED shelves
 L.100x H.250 cm

2PA3/LLED

Pannello in nobilitato lucido con spina per mensola LED
 Glossy faced panel with plug for LED shelves
 L.100x H.250 cm



2ME/NLED

Mensola in nobilitato con LED a scomparsa
 Shelf in faced panel with hidden LED
 L.95 x P.40 cm

2ME/LLED

Mensola in nobilitato lucido con LED a scomparsa
 Shelf in glossy faced panel with hidden LED
 L.95 x P.40 cm

TABELLA RIASSUNTIVA MATERIALI
MATERIALS SUMMARY TABLE

NOBILITATI
FACED PANELS



BIANCO LUCIDO
GLOSSY WHITE



NERO LUCIDO
GLOSSY BLACK

NOBILITATI
FACED PANELS



ABETE NODATO
KNOTTED FIR



ABETE VISSUTO BIANCO
WHITE VINTAGE FIR



CEMENTO
CONCRETE

ACCESSORI
ACCESORIES



ALLUMINIO
ALUMINIUM



ROVERE TAVOLATO
PLANKED OAK



ABETE GESSATO
CHALKY FIR



LAMIERA OSSIDATA
OXIDIZED SHEET



VETRO TEMPERATO
CLEAR GLASS

FINITURE TESSUTI
FABRIC FINISHES



VELLUTO BEIGE
VELVET BEIGE



VELLUTO ROSSO
VELVET RED



VELLUTO NERO
VELVET BLACK



TAFTA' CRINKLE NEWCREAM
TAFTA' CRINKLE NEWCREAM



TAFTA' CRINKLE GRIGIO
TAFTA' CRINKLE GREY



TAFTA' CRINKLE BORDEAUX
TAFTA' CRINKLE BORDEAUX



TAFTA' CRINKLE GREEN
TAFTA' CRINKLE GREEN

2|LINEADUE - PRICE LIST

CODE	DESCRIPTION	PRICE	JUST IN TIME	PAGE
SHELVES - CROSSBARS (HANGINGS)				
2MEIN	Shelf 40x95 sp.18cm in faced panel	56.00		6
2ME/L	Shelf 40x95 sp.18cm in faced panel glossy BLACK/WHITE	81.00	*	6
2ME/V	Shelf 40x95 sp.18cm in tempered glass	64.00	*	6
2BAP	Crossbar L.95cm in metal	62.00	*	6
2PP	n.1 Frontal hanging pin L.25cm in metal	27.50	*	6
2PG	Pair of supporting pins for shelf and crossbar L.40cm in metal	60.00	*	6
MODULES - TABLES				
2T01/N	Table 160x70 H.85cm in faced panel	602.00		7
2T01/L	Table 160x70 H.85cm in glossy faced panel (WHITE/BLACK)	754.00		7
2T02/N	Module with 2 compartments with wheels 35x65 H.70 in faced panel	274.00		7
2T02/L	Module with 2 compartments with wheels 35x65 H.70 in glossy faced panel (WHITE/BLACK)	303.00		7
2M01/N	Module with 3 compartments 50x50 H.150 in faced panel	442.00		7
2M01/L	Module with 3 compartments 50x50 H.150 in glossy faced panel (WHITE/BLACK)	549.00		7
SEATS				
2CHES/S	Single seat padded and covered with synthetic leather brown vintage. L.115xP.92xH.75cm	2'169.00		8
2CHES/L	Double seat padded and covered with synthetic leather brown vintage. L.160xP.92xH.75cm	2'542.00		8
SELF STANDING ELEMENTS				
2PAR/N	Self standing element with drawer in faced panel. L.120xP.50xH.200cm	1'289.00		9
2PAR/L	Self standing element with drawer in glossy faced panel (WHITE/BLACK). L.120xP.50xH.200cm	1'521.00		9
EQUIPABLE FERRUED PANELS				
2PA1/N	Ferruled panel 100x50cm - in faced panel	146.00	*	10
2PA1/L	Ferruled panel 100x50cm - in glossy faced panel (WHITE/BLACK)	151.00		10
2PA2/N	Ferruled panel 100x100cm - in faced panel	262.00	*	10
2PA2/L	Ferruled panel 100x100cm - in glossy faced panel (WHITE/BLACK)	287.00		10
2PA3/N	Ferruled panel 100x250cm - in faced panel	500.00	*	10
2PA3/L	Ferruled panel 100x250cm - in glossy faced panel (WHITE/BLACK)	564.00		10

For equipable ferruled panels, JUST IN TIME only for CONCRETE finishing



CHANGING ROOM				
2CAM	Curved structure for changing room 100x100cm in metal	297.00		11
2TEV	Double curtain for changing room H.200cm	594.00		11
2MRR/N	Mirror 85x205cm, frame in faced panel	434.00		11
2MRR/L	Mirror 85x205cm, frame in glossy faced panel (WHITE/BLACK)	512.00		11
2GA	n.1 Hanger in metal	49.00		11
LINEA2 LED				
ELECTRIFIED SELF STANDING ELEMENTS				
2PAR/NE	Self standing element with drawer in faced panel. Electrified (with N.2 power suppliers). L.120xP.50xH.200cm	1'800.00		13
2PAR/LE	Self standing element with drawer in glossy faced panel (WHITE/BLACK). Electrified (with N.2 power suppliers). L.120xP.50xH.200cm	2'030.00		13
EQUIPABLE FERRULED PANELS				
2PA1/NLED	Ferruled panel L.100xP.50cm - in faced panel with electrification settings for LED shelves. Complete with power supply.	279.00		14
2PA1/LLED	Ferruled panel L.100xP.50cm - in glossy faced panel (WHITE/BLACK) with electrification settings for LED shelves. Complete with power supply.	300.00		14
2PA2/NLED	Ferruled panel L.100xP.100cm - in faced panel with electrification settings for LED shelves. Complete with power supply.	437.00		14
2PA2/LLED	Ferruled panel L.100xP.100cm - in glossy faced panel (WHITE/BLACK) with electrification settings for LED shelves. Complete with power supply.	479.00		14
2PA3/NLED	Ferruled panel L.250xP.100cm - in faced panel with electrification settings for LED shelves. Complete with N.2 power suppliers.	1'010.00		14
2PA3/LLED	Ferruled panel L.250xP.100cm - in glossy faced panel (WHITE/BLACK) with electrification settings for LED shelves. Complete with N.2 power suppliers.	1'109.00		14
LED SHELVES				
2ME/NLED	Shelf L.95xP.40cm sp.18mm in faced panel, with LED and plug	195.00		15
2ME/LLED	Shelf L.95xP.40cm sp.18mm in glossy faced panel (WHITE/BLACK), with LED and plug	227.00		15



Preise ab unseren Lokalitäten. Preisänderung vorbehalten.
Diese Preisliste annulliert die vorhergehende.
Lieferfrist ca. 4 Wochen ab Auftragsbestätigung. **Exkl. MwSt**
Fotos, Farben und Grössen können vom Original abweichen.

Prix départ de nos locaux. Sous réserve de modifications. **TVA non incluse**
La présente liste annule et remplace toute précédente liste.
Délai de livraison hors stock, env. 4 sem. dès confirmation commande.
Photos, couleurs et mesures non contractuelles.

DITTA DISPLAY
info@dittadisplay.ch
www.dittadisplay.ch

TMC Galleria, Thurgauerstr. 119,
8152 Glattpark / Opfikon ZH
TEL 043 495 06 61 FAX 043 495 06 62

Ch. des Champs-Courbes 1,
ZI En Vallaire Est, 1024 Ecublens VD
TEL 021 691 12 12 FAX 021 691 13 13