

Ladeneinrichtungen und Zubehör
Agencement de magasins et fournitures



DITTA DISPLAY
info@dittadisplay.ch
www.dittadisplay.ch

TMC Galleria, Thurgauerstr. 119,
8152 Glattpark / Opfikon ZH
TEL 043 495 06 61 FAX 043 495 06 62

Ch. des Champs-Courbes 1,
ZI En Vallaire Est, 1024 Ecublens VD
TEL 021 691 12 12 FAX 021 691 13 13



MONTANTI
UPRIGHTS

3M1/N
nobilitato
faced panel
L12 x P10 x H250 cm

3M1/L
nobilitato lucido
glossy faced panel
L12 x P10 x H250 cm

3M1/EP
ecopelle stampa coccodrillo
synthetic croc printed leather
L12 x P10 x H250 cm

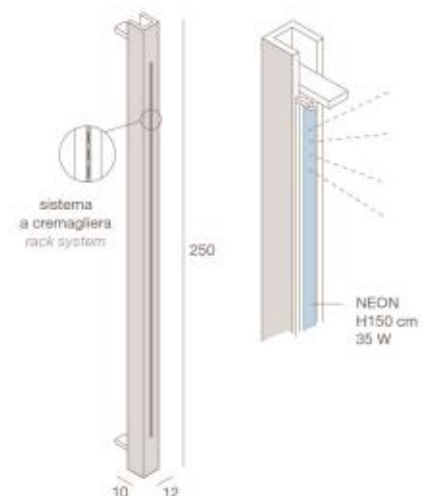
3M1/EPL
ecopelle stampa coccodrillo lucido
synthetic croc printed glossy leather
L12 x P10 x H250 cm

3M2/N
retroilluminato nobilitato
back lighted faced panel
L12 x P10 x H250 cm

3M2/L
retroilluminato nobilitato lucido
back lighted glossy faced panel
L12 x P10 x H250 cm

3M2/EP
retroilluminato ecopelle stampa
coccodrillo
back lighted synthetic croc printed
leather
L12 x P10 x H250 cm

3M2/EPL
retroilluminato ecopelle stampa
coccodrillo lucido
back lighted synthetic croc printed
glossy leather
L12 x P10 x H250 cm



2 LINEATRE



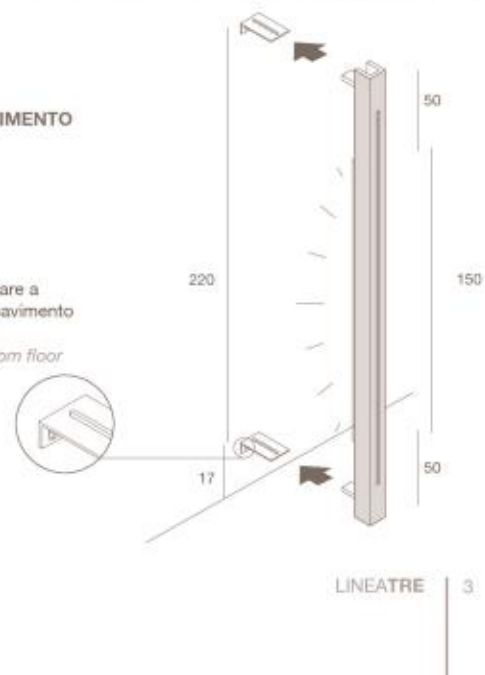
MONTANTI LAMINATO "VERA PIETRA"
LAMINATED UPRIGHTS "TRUE STONE"

3M1/ST
 laminato VeraPietra
faced panel TrueStone
 L12 x P10 x H250 cm

3M2/ST
 laminato VeraPietra retroilluminato
faced panel TrueStone backlighted
 L12 x P10 x H250 cm

DETTAGLI ALLESTIMENTO
FITTING DETAILS

forare e fissare a
 15 cm dal pavimento
*drill and fix
 by 15 cm from floor*





MODULI PARETE "VERA PIETRA"
WALL ELEMENTS "REAL STONE"



120 cm

3PAN120
 Pannello in laminato "Vera Pietra"
 Wall panel "Real Stone Veneer"
 L. 120 x H. 120 cm



120

60 cm

3PAN60
 Pannello in laminato "Vera Pietra"
 Wall panel "Real Stone Veneer"
 L. 120 x H. 60 cm



240 cm

120 cm

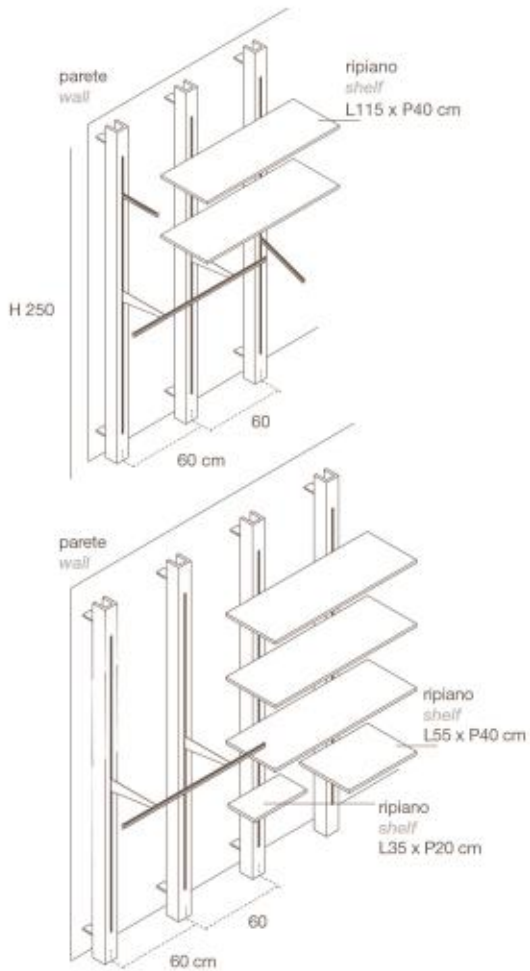
ESEMPIO TEXTURE A PARETE COMPLETA
COMPLETE WALL TEXTURE EXAMPLE

La naturalità e originalità delle finiture implica un certo grado di irregolarità nelle composizioni, caratteristica del materiale stesso.

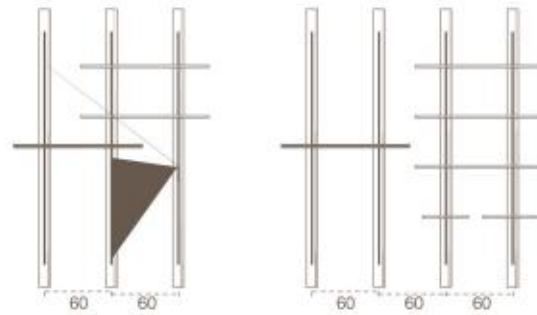
The finishing's naturality and originality implies a certain degree of irregularities in the compositions, characteristic of the material itself.

4 | LINEATRE

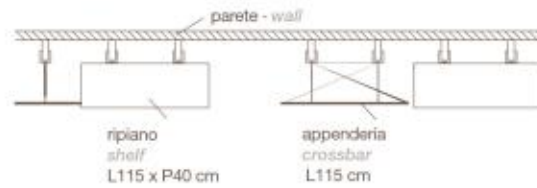
MONTANTI - COMPOSIZIONI
UPRIGHTS - COMPOSITIONS



VISTA FRONTALE - *FRONTAL VIEW*



VISTA IN PIANTA - *PLANT VIEW*





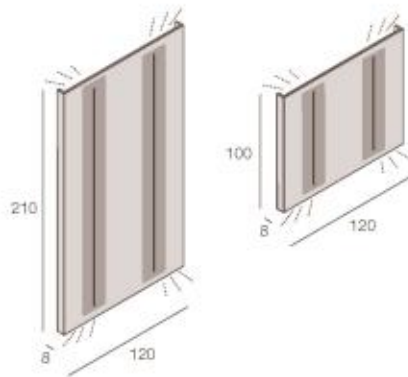
6 | LINEATRE

DITTA DISPLAY
info@dittadisplay.ch
www.dittadisplay.ch

TMC Galleria, Thurgauerstr. 119,
8152 Glattpark / Opfikon ZH
TEL 043 495 06 61 FAX 043 495 06 62

Ch. des Champs-Courbes 1,
ZI En Vallaire Est, 1024 Ecublens VD
TEL 021 691 12 12 FAX 021 691 13 13

PANNELLI CON CREMAGLIERA
PANELS WITH RACK



3P1R/NEPIT

retroilluminato in nobilitato
ecopelle stampa cocodrillo
*back lighted in faced panel
synth. croc printed leather*
L120 x P8 x H210 cm

3P2R/NEPIT

retroilluminato in nobilitato
ecopelle stampa cocodrillo
*back lighted faced panel
synth. croc printed leather*
L120 x P8 x H100 cm

3P1R/LEPIT

retroilluminato in nobilitato lucido
ecopelle stampa cocodrillo
*back lighted in glossy faced panel
synth. croc printed leather*
L120 x P8 x H210 cm

3P2R/LEPIT

retroilluminato in nobilitato lucido
ecopelle stampa cocodrillo
*back lighted glossy faced panel
synth. croc printed leather*
L120 x P8 x H100 cm

3P1R/NEPLIT

retroilluminato in nobilitato
ecopelle st. cocodrillo lucido
*back lighted in faced panel
synth. croc printed glossy leather*
L120 x P8 x H210 cm

3P2R/NEPLIT

retroilluminato in nobilitato
ecopelle st. cocodrillo lucido
*back lighted faced panel
synth. croc printed glossy leather*
L120 x P8 x H100 cm

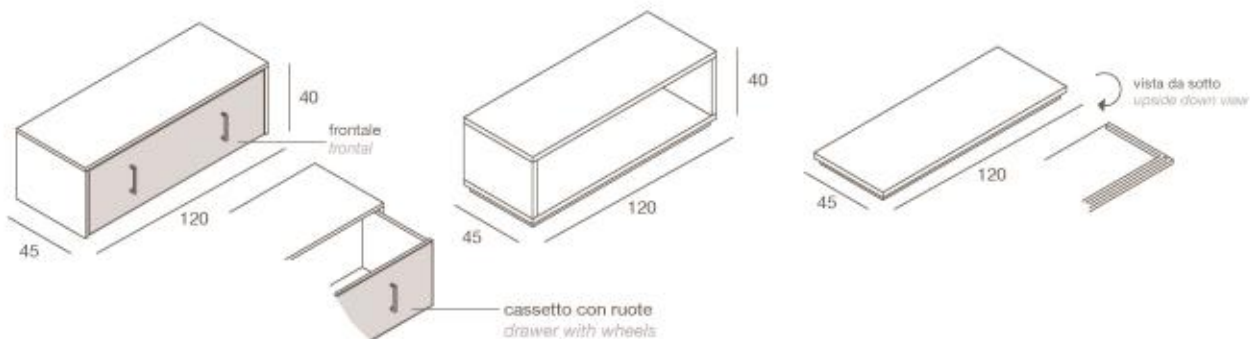
3P1R/LEPLIT

retroilluminato in nobilitato lucido
ecopelle st. cocodrillo lucido
*back lighted in glossy faced panel
synth. croc printed glossy leather*
L120 x P8 x H210 cm

3P2R/LEPLIT

retroilluminato in nobilitato lucido
ecopelle st. cocodrillo lucido
*back lighted glossy faced panel
synth. croc printed glossy leather*
L120 x P8 x H100 cm

ACCESSORI
ACCESSORIES



3CA/N

cassettiera
struttura in nobilitato
frontale in nobilitato
*chest of drawers
structure in faced panel
front in faced panel*
L120 x P45 x H40 cm

3CA/EP

cassettiera
struttura in nobilitato
frontale in ecopelle stampa cocodrillo
*chest of drawers
structure in faced panel
front in synthetic croc printed leather*
L120 x P45 x H40 cm

3A/N

anello
nobilitato
*ring
faced panel*
L120 x P45 x H40 cm

3PE/N

pedana
nobilitato
rialzata con zoccolo
*platform
faced panel
raised with baseboard*
L120 x P45 cm

3CA/L

cassettiera
struttura in nobilitato
frontale in nobilitato lucido
*chest of drawers
structure in faced panel
front in glossy faced panel*
L120 x P45 x H40 cm

3CA/EPL

cassettiera
struttura in nobilitato
frontale in ecopelle stampa
cocodrillo lucido
*chest of drawers
structure in faced panel
front in synthetic croc printed
glossy leather*
L120 x P45 x H40 cm

3A/L

anello
nobilitato lucido
*ring
glossy faced panel*
L120 x P45 x H40 cm

3PE/L

pedana
nobilitato lucido
rialzata con zoccolo
*platform
glossy faced panel
raised with baseboard*
L120 x P45 cm



PANNELLI CON CREMAGLIERA
PANELS WITH RACK

3P1/N

nobilitato
 faced panel
 L120 x H250 cm

3P1/L

nobilitato lucido
 glossy faced panel
 L120 x H250 cm

3P1/EP

ecopelle stampa coccodrillo
 synth. croc printed leather
 L120 x H250 cm

3P1/EPL

ecopelle st. coccodrillo lucido
 synth. croc printed glossy leather
 L120 x H250 cm

3P2/N

nobilitato
 faced panel
 L120 x H100 cm

3P2/L

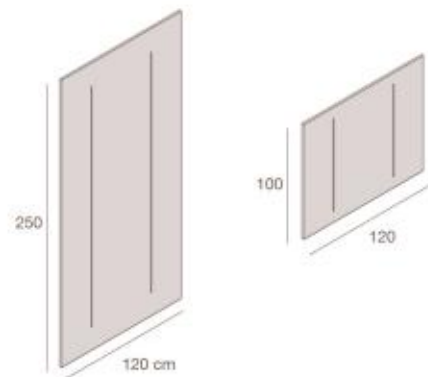
nobilitato lucido
 glossy faced panel
 L120 x H100 cm

3P2/EP

ecopelle stampa coccodrillo
 synth. croc printed leather
 L120 x H100 cm

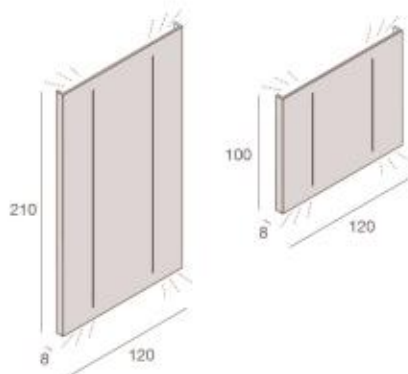
3P2/EPL

ecopelle st. coccodrillo lucido
 synth. croc printed glossy leather
 L120 x H100 cm





PANNELLI CON CREMAGLIERA RETROILLUMINATI
BACKLIGHTED PANELS WITH RACK



3P1R/N

retroilluminato
 nobilitato
 back lighted
 faced panel
 L120 x P8 x H210 cm

3P1R/L

retroilluminato
 nobilitato lucido
 back lighted
 glossy faced panel
 L120 x P8 x H210 cm

3P1R/EP

retroilluminato
 ecopelle stampa coccodrillo
 back lighted
 synth. croc printed leather
 L120 x P8 x H210 cm

3P1R/EPL

retroilluminato
 ecopelle st. coccodrillo lucido
 back lighted
 synth. croc printed glossy leather
 L120 x P8 x H210 cm

3P2R/N

retroilluminato
 nobilitato
 back lighted
 faced panel
 L120 x P8 x H100 cm

3P2R/L

retroilluminato
 nobilitato lucido
 back lighted
 glossy faced panel
 L120 x P8 x H100 cm

3P2R/EP

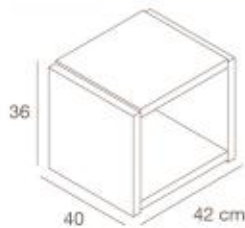
retroilluminato
 ecopelle stampa coccodrillo
 back lighted
 synth. croc printed leather
 L120 x P8 x H100 cm

3P2R/EPL

retroilluminato
 ecopelle st. coccodrillo lucido
 back lighted
 synth. croc printed glossy leather
 L120 x P8 x H100 cm

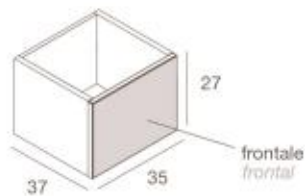


MODULI SOVRAPPONIBILI
SUPERIMPOSABLE MODULES



3C/N
cubo
nobilitato
cube
faced panel
L42 x P40 x H36 cm

3CAS/N
cassetto
struttura in nobilitato
frontale in nobilitato
drawer
structure in faced panel
front in faced panel
L35 x P37 x H27 cm

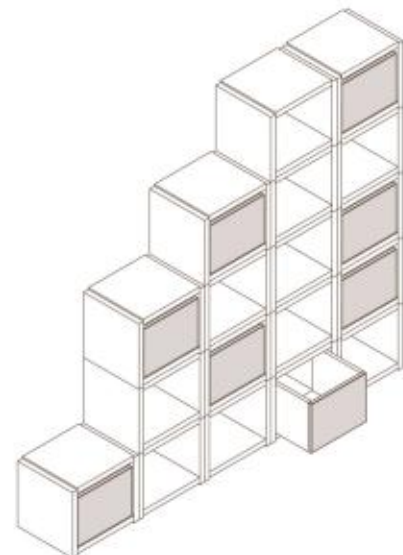


3CAS/L
cassetto - struttura in nobilitato
frontale in nobilitato lucido
drawer - structure in faced panel
front in glossy faced panel
L35 x P37 x H27 cm

3CAS/EP
cassetto
struttura in nobilitato
frontale in ecopelle stampa coccodrillo
drawer
structure in faced panel
front in synthetic croc printed leather
L35 x P37 x H27 cm

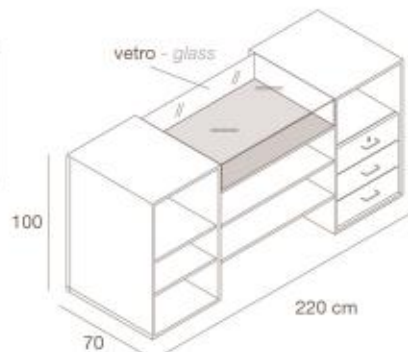
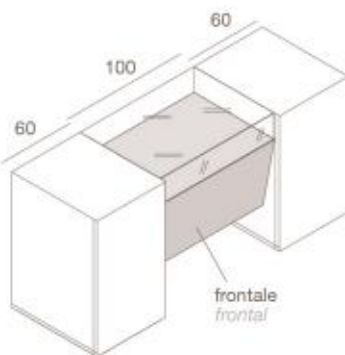
3CAS/EPL
cassetto - struttura in nobilitato
frontale in ecopelle stampa coccodrillo lucido
drawer - structure in faced panel
front in synthetic croc printed glossy leather
L35 x P37 x H27 cm

3CAS/ST
cassetto
struttura in nobilitato
frontale in laminato Vera Pietra
drawer structure in faced panel
front in True Stone faced panel
L35 x P37 x H27 cm





BANCHI CASSA
CASH COUNTERS



3BC1/N
struttura in nobilitato
frontale in nobilitato
structure in faced panel
front in faced panel
L220 x P70 x H100 cm

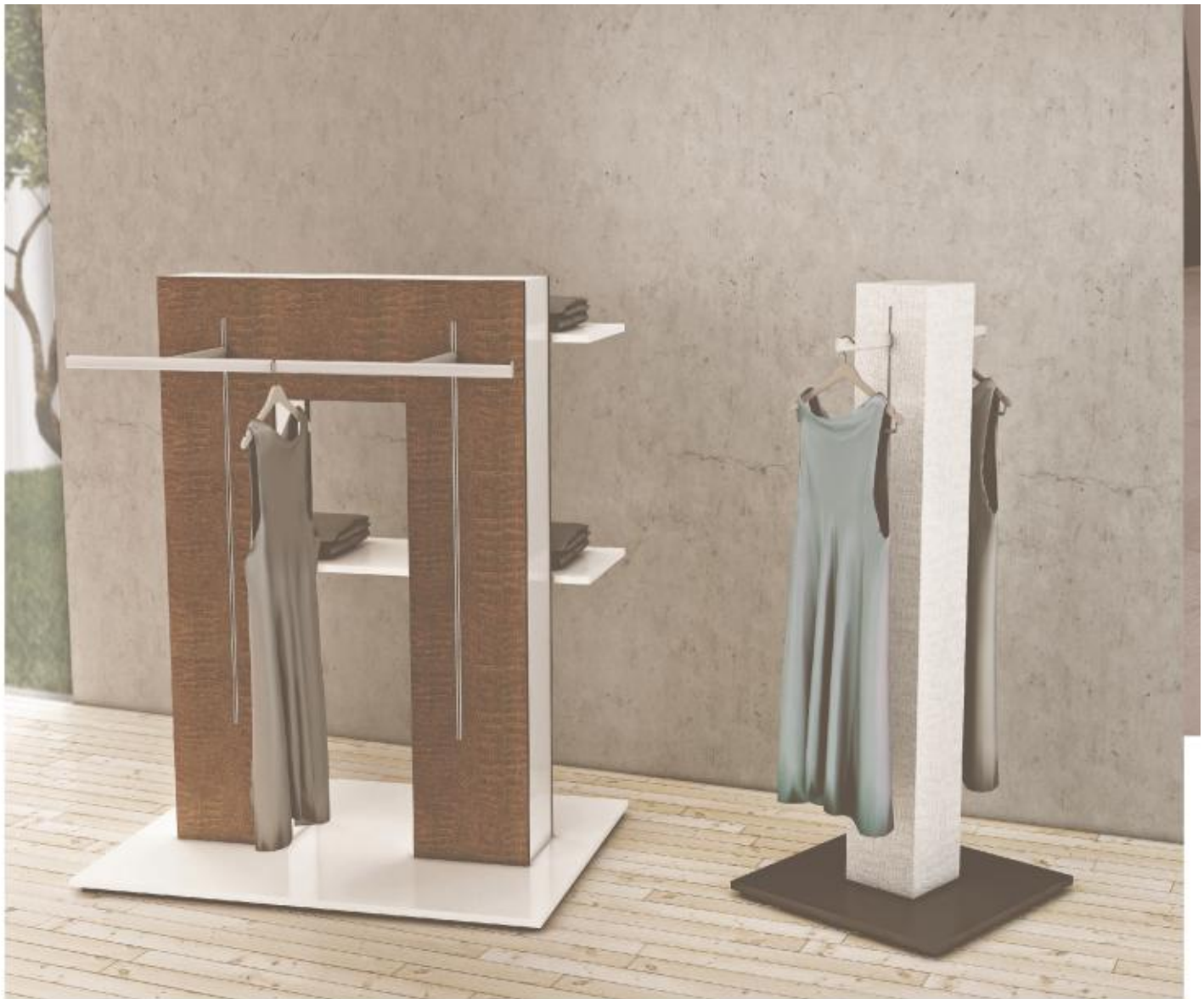
3BC1/L
struttura in nobilitato
frontale in nobilitato lucido
structure in faced panel
front in glossy faced panel
L220 x P70 x H100 cm

3BC1/EP
struttura in nobilitato
frontale in ecopelle stampa coccodrillo
structure in faced panel
front in synthetic croc printed leather
L220 x P70 x H100 cm

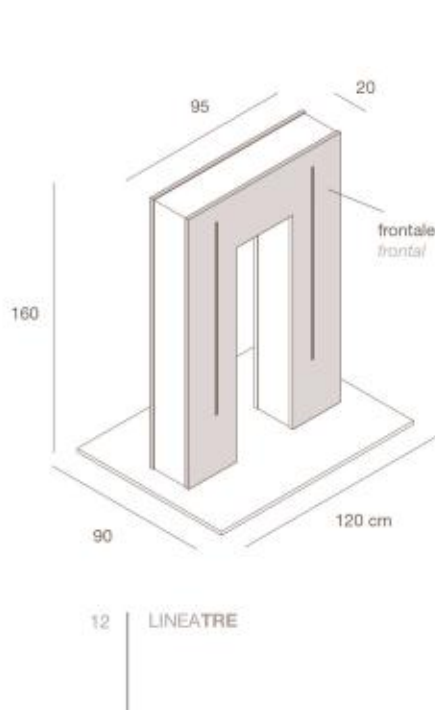
3BC1/EPL
struttura in nobilitato
frontale in ecopelle stampa coccodrillo lucido
structure in faced panel
front in synthetic croc printed glossy leather
L220 x P70 x H100 cm

3BC1/ST
struttura in nobilitato
frontale in laminato Vera Pietra
structure in faced panel
front in True Stone faced panel
L220 x P70 x H100 cm

LINEATRE | 11



ISOLA AUTOPORTANTE
FREESTANDING RACK ISLAND

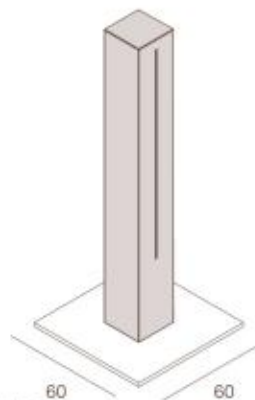


3IS/N
base e struttura in nobilitato
frontali in nobilitato
*base and structure in faced panel
fronts in faced panel*
L120 x P90 x H160 cm

3IS/L
base e struttura in nobilitato
frontali in nobilitato lucido
*base and structure in faced panel
fronts in glossy faced panel*
L120 x P90 x H160 cm

3IS/EP
base e struttura in nobilitato
frontali in ecopelle stampa coccodrillo
*base and structure in faced panel
fronts in synthetic croc printed leather*
L120 x P90 x H160 cm

3IS/EPL
base e struttura in nobilitato
frontali in ecopelle stampa coccodrillo lucido
*base and structure in faced panel
fronts in synthetic croc printed glossy leather*
L120 x P90 x H160 cm



3TO/N
nobilitato
faced panel
L60 x P60 x H150

3TO/L
nobilitato lucido
glossy faced panel
L60 x P60 x H150

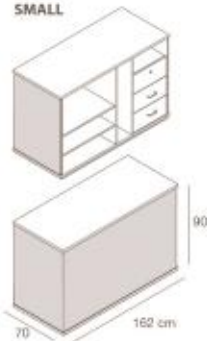
3TO/EP
ecopelle stampa coccodrillo
synth. croc printed leather
L60 x P60 x H150

3TO/EPL
ecopelle stampa coccodrillo
lucida
synth. croc printed glossy leather
L60 x P60 x H150



**BANCHI CASSA
CASH COUNTERS**

SMALL



3BC2/N

banco cassa small
struttura in nobilitato
frontale e laterali in nobilitato
small cash counter
structure in faced panel
front and laterals in faced panel
L162 x P70 x H90 cm

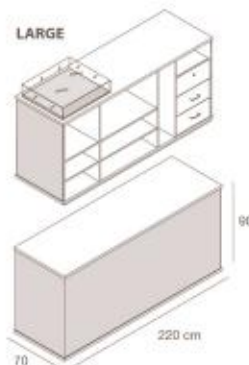
3BC2/L

banco cassa small
struttura in nobilitato
frontale e laterali in nobilitato lucido
small cash counter
structure in faced panel
front and laterals in glossy
faced panel
L162 x P70 x H90 cm

3BC2/ST

banco cassa small
struttura in nobilitato
frontale e laterali in laminato
Vera Pietra
small cash counter
structure in faced panel
front and laterals in Real Stone
faced panels
L162 x P70 x H90 cm

LARGE



3BC3/N

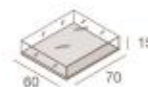
banco cassa large
struttura in nobilitato
frontale e laterali in nobilitato
large cash counter
structure in faced panel
front and laterals in faced panel
L220 x P70 x H90 cm

3BC3/L

banco cassa large
struttura in nobilitato
frontale e laterali in nobilitato lucido
large cash counter
structure in faced panel
front and laterals in glossy
faced panel
L220 x P70 x H90 cm

3BC3/ST

banco cassa small
struttura in nobilitato
frontale e laterali in laminato
Vera Pietra
small cash counter
structure in faced panel
front and laterals in Real Stone
faced panels
L220 x P70 x H90 cm



3TC/N

teca vetro
base in nobilitato
glass case
base in faced panel

3TC/L

teca vetro
base in nobilitato lucido
glass case
base in glossy faced panel

3TC/EP

teca vetro
base in ecopelle stampa coccodrillo
glass case
base in synthetic croc printed leather

3TC/EPL

teca vetro
base in ecopelle stampa coccodrillo lucido
glass case
base in synthetic croc printed glossy leather

3BC3/EP

banco cassa large
struttura in nobilitato
frontale e laterali in ecopelle
stampa coccodrillo
large cash counter
structure in faced panel
front and laterals in synthetic
croc printed leather
L220 x P70 x H90 cm

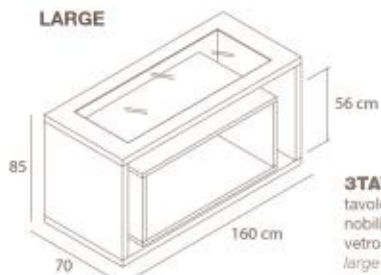
3BC3/EPL

banco cassa large
struttura in nobilitato
frontale e laterali in ecopelle
st. coccodrillo lucido
large cash counter
structure in faced panel
front and laterals in synth.
croc printed glossy leather
L220 x P70 x H90 cm



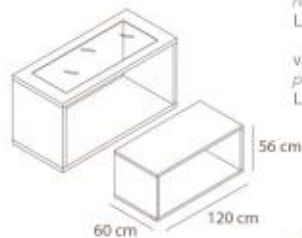
TAVOLI
TABLES

LARGE



3TAVL/N
tavolo large
nobilitato
vetro ad incastro
large table
faced panel
recessed glass
L160 x P70 x H85 cm

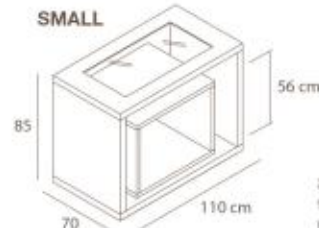
vano estraibile
pull-out compartment
L120 x P60 x H56 cm



3TAVL/L
tavolo large
nobilitato lucido
vetro ad incastro
large table
glossy faced panel
recessed glass
L160 x P70 x H85 cm

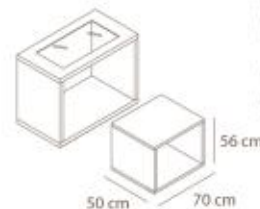
vano estraibile
pull-out compartment
L120 x P60 x H56 cm

SMALL



3TAVS/N
tavolo small
nobilitato
vetro ad incastro
small table
faced panel
recessed glass
L110 x P70 x H85 cm

vano estraibile
pull-out compartment
L70 x P50 x H56 cm

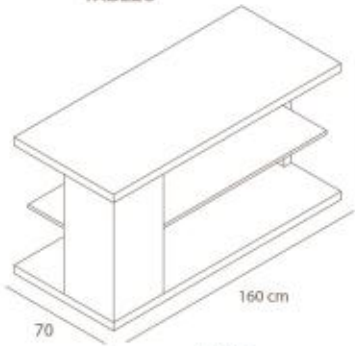


3TAVS/L
tavolo small
nobilitato lucido
vetro ad incastro
small table
glossy faced panel
recessed glass
L110 x P70 x H85 cm

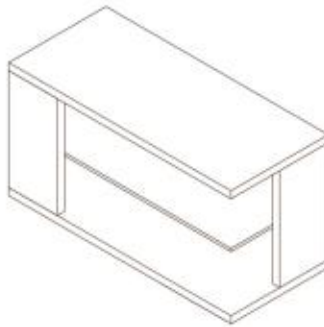
vano estraibile
pull-out compartment
L70 x P50 x H56 cm



**TAVOLI
TABLES**

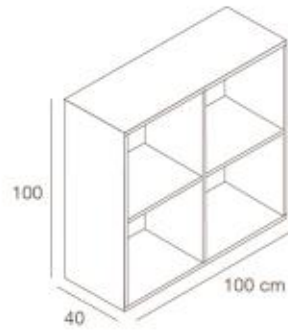


3TA/N
tavolo
nobilitato
table
faced panel
L160 x P70 x H85 cm



3TA/L
tavolo
nobilitato lucido
table
glossy faced panel
L160 x P70 x H85 cm

**MODULO RETRO CASSA
BACK-CASH MODULE**



3RC/N
nobilitato
faced panel
L100 x P40 x H100 cm

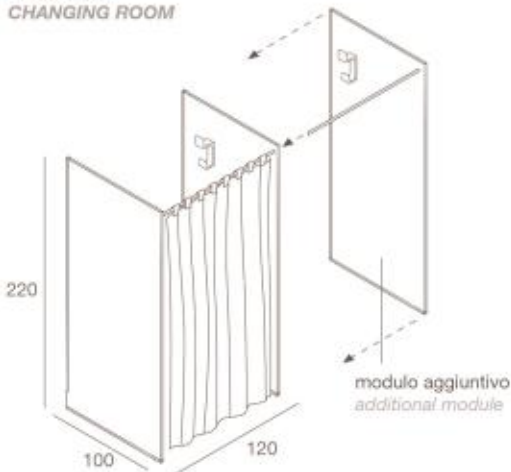
3RC/NL
nobilitato lucido
glossy faced panel
L100 x P40 x H100 cm



LINEATRE | 15



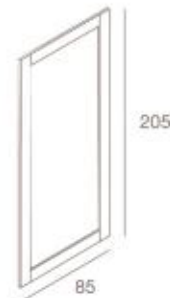
CAMERINO
CHANGING ROOM



3CAM1/N
camerino
tubo tenda
coppia ganci appendini
coppia pannelli nobilitato
changing room
tube for curtain
pair of wall clothes hangers
pair of faced panels
L120 x P100 x H220 cm

3CAM2/N
modulo aggiuntivo
tubo tenda
coppia ganci appendini
pannello nobilitato
additional module
tube for curtain
pair of wall clothes hangers
faced panel
L120 x H220 cm

3TEV
tenda
curtain
L140 x H200 cm



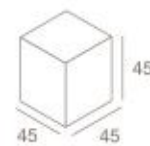
3MRR/N
specchio
cornice in nobilitato
mirror
frame in faced panel
L85 x H205 cm

3MRR/L
specchio
cornice in nobilitato lucido
mirror frame in
glossy faced panel
L85 x H205 cm

3MRR/EP
specchio
cornice ecopelle st. coccodrillo
mirror
frame in synth. croc printed
leather
L85 x H205 cm

3MRR/EPL
specchio
cornice ecopelle st. coccodrillo
lucido
mirror
frame in synth. croc printed
glossy leather
L85 x H205 cm

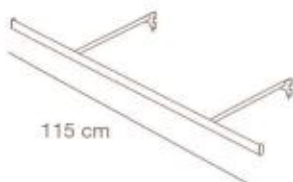
3GA
gancio appenderia
alluminio
clothes hanger
aluminium
P15 x H10 cm



3POU/EP
pouf rivestito
ecopelle stampa coccodrillo
padded pouf
synth. croc printed leather
L45 x P45 x H45 cm

3POU/EPL
pouf rivestito
ecopelle stampa coccodrillo lucido
padded pouf
synth. croc printed glossy leather
L45 x P45 x H45 cm

ACCESSORI
ACCESSORIES



3BAP
Barra appenderia
finitura cromo opaco
Hanging bar
matt chromium finishing
L.115 cm



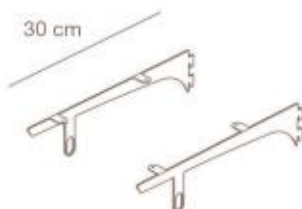
3APF
Appendiera frontale dritta
finitura cromo opaco
Straight frontal crossbar
matt chromium finishing
L.30 cm



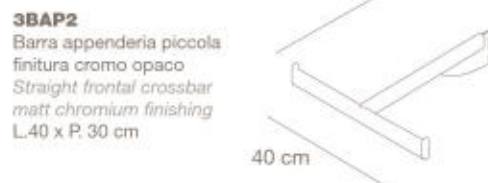
3RM/L
Coppia staffe reggimensola
per legno finitura cromo opaco
Pair of shelves holder
for wood matt chromium
finishing
L.30 cm



3APFZ
Appendiera frontale inclinata
finitura cromo opaco
Tilted frontal crossbar
matt chromium finishing
L.38 cm



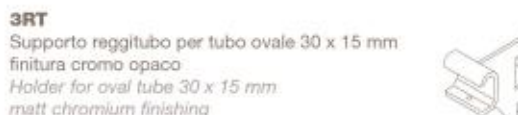
3MEBAP/L
Coppia staffe reggimensola legno
e barra appenderia finitura cromo opaco
Pair of wood shelves holders with
hanging bar matt chromium finishing



3BAP2
Barra appenderia piccola
finitura cromo opaco
Straight frontal crossbar
matt chromium finishing
L.40 x P. 30 cm



3RMM/L
Staffa singola per mensola media
e piccola in legno finitura cromo opaco
Pair of shelves holder for wood
matt chromium finishing
L.20 cm



3RT
Supporto reggitubo per tubo ovale 30 x 15 mm
finitura cromo opaco
Holder for oval tube 30 x 15 mm
matt chromium finishing



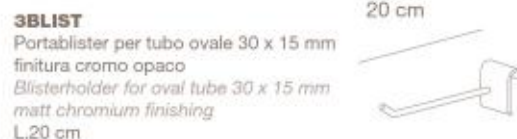
3MEBAP/V
Coppia staffe reggimensola vetro sp.8mm
e barra appenderia finitura cromo opaco
Pair of glass th.8mm shelves holders
with hanging bar matt chromium finishing



3TUB
Tubo ovale 30 x 15 mm e tappi chiusura,
disponibile misure a richiesta finitura cromo opaco
Oval tube 30 x 15 mm and closing caps,
length available on request, matt chromium finishing.



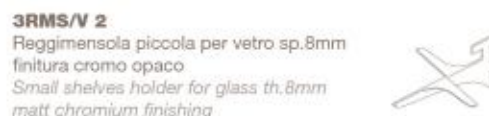
3ME/V
Coppia staffe reggimensola vetro sp.8mm
finitura cromo opaco
Pair of glass th.8mm shelvesholders
matt chromium finishing



3BLIST
Portablister per tubo ovale 30 x 15 mm
finitura cromo opaco
Blisterholder for oval tube 30 x 15 mm
matt chromium finishing
L.20 cm



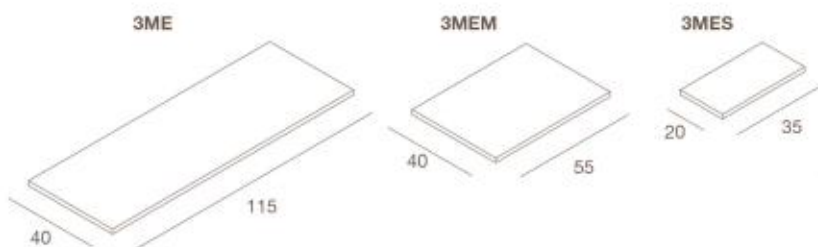
3RMM/V
Reggimensola media per vetro sp.8mm
finitura cromo opaco
Medium shelves holder for glass th.8mm
matt chromium finishing
L.30 cm



3RMS/V 2
Reggimensola piccola per vetro sp.8mm
finitura cromo opaco
Small shelves holder for glass th.8mm
matt chromium finishing



3RMS/V
Reggimensola piccola per vetro sp.8mm
finitura cromo opaco
Small shelves holder for glass th.8mm
matt chromium finishing



3ME/L
mensola in nobilitato lucido
shelf in glossy faced panel
L115 x P40 cm – sp 18 mm

3MEM/L
mensola in nobilitato lucido
shelf in glossy faced panel
L55 x P40 cm – sp 18 mm

3MES/L
mensola in nobilitato lucido
shelf in glossy faced panel
L35 x P20 cm – sp 18 mm

3ME/N
mensola in nobilitato
shelf in faced panel
L115 x P40 cm – sp 18 mm

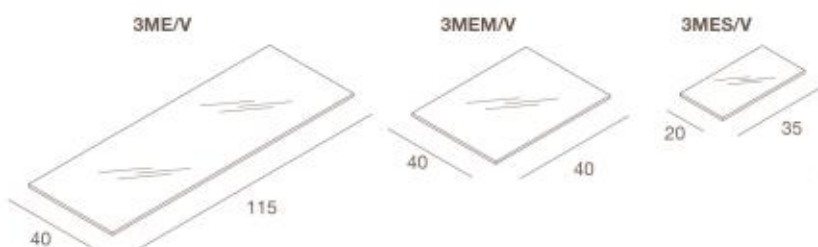
3MEM/N
mensola in nobilitato
shelf in faced panel
L55 x P40 cm – sp 18 mm

3MES/N
mensola in nobilitato
shelf in faced panel
L35 x P20 cm – sp 18 mm

3ME/ST
mensola in nobilitato
shelf in faced panel
L115 x P40 cm – sp 18 mm

3MEM/ST
mensola in nobilitato
shelf in faced panel
L55 x P40 cm – sp 18 mm

3MES/ST
mensola in nobilitato
shelf in faced panel
L35 x P20 cm – sp 18 mm



3ME/V
mensola in vetro temperato
shelf in tempered glass
L115 x P40 cm – sp 8 mm

3MEM/V
mensola in vetro temperato
shelf in tempered glass
L40 x P40 cm – sp 8 mm

3MES/V
mensola in vetro temperato
shelf in tempered glass
L35 x P20 cm – sp 8 mm



18 LINEATRE

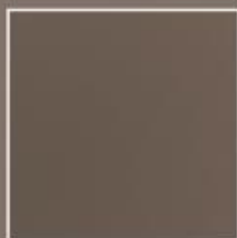
NOBILITATI
FACED PANELS



NERO LUCIDO
GLOSSY BLACK



BIANCO LUCIDO
GLOSSY WHITE



NERO
BLACK



BIANCO
WHITE



ABETE NODATO
KNOTTED FIR



ABETE VISSUTO BIANCO
WHITE VINTAGE FIR



ROVERE TAVOLATO
PLANKED OAK



ABETE GESSATO
CHALKY FIR



EBANO PRECOMPOSTO
EBONY VENEERED PLYWOOD



WENGE'
WENGE'



ROVERE AMERICANO
AMERICAN OAK



LAMIERA OSSIDATA
OXIDIZED SHEET

FINITURE E MATERIALI "VERA PIETRA"
FINISHINGS AND MATERIALS "REAL STONE"



ARGENTO



COBRE NEW



AURO



D_BLACK

FINITURE TESSUTI
FABRIC FINISHINGS



VELLUTO BEIGE
VELVET BEIGE



VELLUTO ROSSO
VELVET RED



VELLUTO NERO
VELVET BLACK



TAFTA' CRINKLE NEWCREAM
TAFTA' CRINKLE NEWCREAM



TAFTA' CRINKLE GRIGIO
TAFTA' CRINKLE GREY



TAFTA' CRINKLE BORDEAUX
TAFTA' CRINKLE BORDEAUX



TAFTA' CRINKLE GREEN
TAFTA' CRINKLE GREEN

ECOPELLE STAMPA COCCODRILLO
SYNTHETIC CROC PRINTED LEATHER



BIANCO
WHITE



BEIGE
BEIGE



CASTAGNO
CHESTNUT



NERO
BLACK

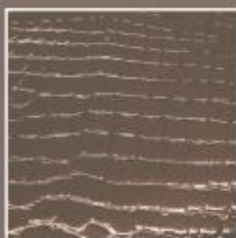
ECOPELLE STAMPA COCCODRILLO LUCIDO
SYNTHETIC CROC PRINTED GLOSSY LEATHER



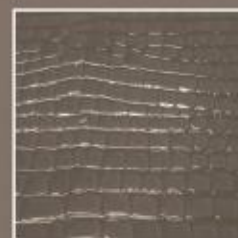
AVORIO
IVORY



ROSSO RUBINO
RUBY RED



TESTA DI MORO
DARK BROWN



GRIGIO
GREY

ACCESSORI
ACCESORIES



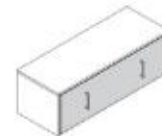
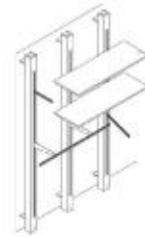
CROMO OPACO
CHROMIUM MATT



VETRO TEMPERATO
CLEAR GLASS

3|LINEATRE - PRICE LIST

CODE	DESCRIPTION	PRICE	JUST IN TIME	PAGE
UPRIGHTS				
3M1/N	Upright with rack 12x10 H.250cm in faced panel	378.00		2
3M1/L	Upright with rack 12x10 H.250cm in glossy faced panel BLACK/WHITE	456.00		2
3M1/EP	Upright with rack 12x10 H.250cm covered with synthetic croc printed leather	424.00	*	2
3M1/EPL	Upright with rack 12x10 H.250cm covered with synthetic croc printed glossy leather	471.00	*	2
3M1/ST	Upright with rack 12x10 H.250cm in real stone veneer	654.00		3
3M2/N	Back-lighted upright with rack 12x10 H.250cm in faced panel	450.00		2
3M2/L	Back-lighted upright with rack 12x10 H.250cm in glossy faced panel BLACK/WHITE	530.00		2
3M2/EP	Back-lighted upright with rack 12x10 H.250cm covered with synthetic croc printed leather	497.00	*	2
3M2/EPL	Back-lighted upright with rack 12x10 H.250cm covered with synthetic croc printed glossy leather	546.00	*	2
3M2/ST	Back-lighted upright with rack 12x10 H.250cm in real stone veneer	725.00		3
PANELS WITH RACK				
3P1R/EPIT	Back-lighted panel 120x8 H.210cm in faced panel with insets covered with synthetic croc printed leather	1'189.00		7
3P1R/EPLIT	Back-lighted panel 120x8 H.210cm in faced panel with insets covered with synthetic croc printed glossy leather	1'234.00		7
3P2R/EPIT	Back-lighted panel 120x8 H.100cm in faced panel with insets covered with synthetic croc printed leather	709.00		7
3P2R/EPLIT	Back-lighted panel 120x8 H.100cm in faced panel with insets covered with synthetic croc printed glossy leather	754.00		7
ACCESSORIES				
3CA/N	Chest of drawers 120x45 H.40cm structure in faced panel and front in faced panel - drawer with wheels and 2 handles	456.00	*	7
3CA/L	Chest of drawers 120x45 H.40cm structure in faced panel and front in glossy faced panel BLACK/WHITE - drawer with wheels and 2 handles	526.00	*	7
3CA/EP	Chest of drawers 120x45 H.40cm structure in faced panel and front covered with synthetic croc printed leather - drawer with wheels and 2 handles	547.00	*	7
3CA/EPL	Chest of drawers 120x45 H.40cm structure in faced panel and front covered with synthetic croc printed glossy leather - drawer with wheels and 2 handles	562.00	*	7
3A/N	Ring 120x45 H.40cm structure in faced panel, raised with baseboard	229.00		7
3A/L	Ring 120x45 H.40cm structure in glossy faced panel (WHITE/BLACK), raised with baseboard	334.00		7
3PE/N	Platform 120x45 H.4cm in faced panel, raised with baseboard	123.00		7
3PE/L	Platform 120x45 H.4cm in glossy faced panel (WHITE/BLACK), raised with baseboard	149.00		7
PANELS WITH RACK				
3P1/N	Panel L120 H.250cm in faced panel	500.00		8
3P1/L	Panel L120 H.250cm in glossy faced panel BLACK/WHITE	648.00		8
3P1/EP	Panel L120 H.250cm covered with synthetic croc printed leather	861.00		8
3P1/EPL	Panel L120 H.250cm covered with synthetic croc printed glossy leather	910.00		8
3P2/N	Panel L120 H.100cm in faced panel	290.00		8
3P2/L	Panel L120 H.100cm in glossy faced panel BLACK/WHITE	343.00		8
3P2/EP	Panel L120 H.100cm covered with synthetic croc printed leather	456.00	*	8
3P2/EPL	Panel L120 H.100cm covered with synthetic croc printed glossy leather	480.00	*	8
BACK-LIGHTED PANELS WITH RACK				
3P1R/N	Back-lighted panel 120x8 H.210cm in faced panel	754.00		9
3P1R/L	Back-lighted panel 120x8 H.210cm in glossy faced panel BLACK/WHITE	831.00		9
3P1R/EP	Back-lighted panel 120x8 H.210cm covered with synthetic croc printed leather	1'059.00		9
3P1R/EPL	Back-lighted panel 120x8 H.210cm covered with synthetic croc printed glossy leather	1'128.00		9
3P2R/N	Back-lighted panel 120x8 H.100cm in faced panel	518.00		9
3P2R/L	Back-lighted panel 120x8 H.100cm in glossy faced panel BLACK/WHITE	594.00		9
3P2R/EP	Back-lighted panel 120x8 H.100cm covered with synthetic croc printed leather	747.00	*	9
3P2R/EPL	Back-lighted panel 120x8 H.100cm covered with synthetic croc printed glossy leather	770.00	*	9



SUPERIMPOSABLE MODULES				
3C/N	Cube 42x40 H.36cm in faced panel	94.00		10
3C/L	Cube 42x40 H.36cm in glossy faced panel (WHITE/BLACK)	149.00		10
3CAS/N	Drawer 35x37 H.27cm structure in faced panel and front in faced panel	79.00		10
3CAS/L	Drawer 35x37 H.27cm structure in faced panel and front in glossy faced panel BLACK/WHITE	91.00		10
3CAS/EP	Drawer 35x37 H.27cm structure in faced panel and front covered with synthetic croc printed leather	114.00		10
3CAS/EPL	Drawer 35x37 H.27cm structure in faced panel and front covered with synthetic croc printed glossy leather	126.00		10
3CAS/ST	Drawer 35x37 H.27cm structure in faced panel and front in real stone veneer.	145.00		10
CASH COUNTERS				
3BC1/N	Cash counter 220x70 H.100cm structure in faced panel and front in faced panel - glass showcase - 6 compartments - 3 drawers	2'271.00		11
3BC1/L	Cash counter 220x70 H.100cm structure in faced panel and front in glossy faced panel BLACK/WHITE - glass showcase - 6 compartments - 3 drawers	2'682.00		11
3BC1/EP	Cash counter 220x70 H.100cm structure in faced panel and front covered with synthetic croc printed leather - glass showcase - 6 compartments - 3 drawers	2'499.00		11
3BC1/EPL	Cash counter 220x70 H.100cm structure in faced panel and front covered with synthetic croc printed glossy leather - glass showcase - 6 compartments - 3 drawers	2'545.00		11
FREESTANDING ISLANDS				
3IS/N	Freestanding island 120x90 H.160cm, base and structure in faced panel, front in faced panel	991.00		12
3IS/L	Freestanding island 120x90 H.160cm, base and structure in faced panel, front in glossy faced panel BLACK/WHITE	1'125.00		12
3IS/EP	Freestanding island 120x90 H.160cm, base and structure in faced panel, front covered with synthetic croc printed leather	1'311.00		12
3IS/EPL	Freestanding island 120x90 H.160cm, base and structure in faced panel, front covered with synthetic croc printed glossy leather	1'356.00		12
3TO/N	Totem island 60x60 H.150cm base in faced panel, totem in faced panel	454.00		12
3TO/L	Totem island 60x60 H.150cm base in faced panel, totem in glossy faced panel BLACK/WHITE	500.00		12
3TO/EP	Totem island 60x60 H.150cm base in faced panel, totem covered with synthetic croc printed leather	622.00		12
3TO/EPL	Totem island 60x60 H.150cm base in faced panel, totem covered with synthetic croc printed glossy leather	655.00		12
CASH COUNTERS				
3BC2/N	Small cash counter 162x70 H.90cm structure in faced panel, front and laterals in faced panel - 5 compartments - 3 drawers	1'521.00		13
3BC2/L	Small cash counter 162x70 H.90cm structure in faced panel, front and laterals in glossy faced panel BLACK/WHITE - 5 compartments - 3 drawers	1'661.00		13
3BC2/EP	Small cash counter 162x70 H.90cm structure in faced panel, front and laterals covered with synthetic croc printed leather - 5 compartments - 3 drawers	1'966.00		13
3BC2/EPL	Small cash counter 162x70 H.90cm structure in faced panel, front and laterals covered with synthetic croc printed glossy leather - 5 compartments - 3 drawers	2'012.00		13
3BC2/ST	Small cash counter 162x70 H.90cm structure in faced panel, front and laterals in real stone veneer - 5 compartments - 3 drawers	2'659.00		13
3BC3/N	Large cash counter 220x70 H.90cm structure in faced panel, front and laterals in faced panel - 8 compartments - 3 drawers	1'753.00		13
3BC3/L	Large cash counter 220x70 H.90cm structure in faced panel, front and laterals in glossy faced panel BLACK/WHITE - 8 compartments - 3 drawers	2'027.00		13
3BC3/EP	Large cash counter 220x70 H.90cm structure in faced panel, front and laterals covered with synthetic croc printed leather - 8 compartments - 3 drawers	2'271.00		13
3BC3/EPL	Large cash counter 220x70 H.90cm structure in faced panel, front and laterals covered with synthetic croc printed glossy leather - 8 compartments - 3 drawers	2'332.00		13
3BC3/ST	Large cash counter 220x70 H.90cm structure in faced panel, front and laterals in real stone veneer - 8 compartments - 3 drawers	3'040.00		13
3TC/N	Glass showcase with base in faced panel 60x70 H.15cm	373.00	*	13
3TC/L	Glass showcase with base in glossy faced panel BLACK/WHITE 60x70 H.15cm	389.00	*	13
3TC/EP	Glass showcase with base covered with synthetic croc printed leather 60x70 H.15cm	419.00	*	13
3TC/EPL	Glass showcase with base covered with synthetic croc printed glossy leather 60x70 H.15cm	434.00	*	13
3TC/ST	Glass showcase with base in real stone veneer 60x70 H.15cm	541.00		13
TABLES				
3TAV/LN	Large table 160x70 H.85cm in faced panel, with set glass + removable compartment 120x60 H.56cm	1'140.00		14
3TAV/LL	Large table 160x70 H.85cm in glossy faced panel BLACK/WHITE, with set glass + removable compartment 120x60 H.56cm	1'370.00		14
3TAV/SN	Small table 110x70 H.85cm in faced panel, with set glass + removable compartment 70x50 H.56cm	983.00		14



3TAVS/L	Smart table 110x70 H.85cm in glossy faced panel BLACK/WHITE, with set glass + removable compartment 70x50 H.56cm	1'135.00		14
---------	--	----------	--	----

TABLES				
3TAIN	Table 160x70 H.85cm in faced panel	937.00		15
3TAL	Table 160x70 H.85cm in glossy faced panel BLACK/WHITE	1'212.00		15

BACK-CASH MODULE				
3RC/N	Back-cash module in faced panel 100x40 H.100cm	379.00		15
3RC/NL	Back-cash module in glossy faced panel BLACK/WHITE (only external) 100x40 H.100cm	456.00		15

CHANGING ROOM				
3CAM1/N	Changing room, pair of walls in faced panel 100x220cm, complete with wall and floor fixing, 1 tube for curtain and 2 hangers	625.00		16
3CAM2/N	Additional module for changing room with 1 wall in faced panel 100x220cm, complete with wall and floor fixing, 1 tube for curtain and 2 hangers	369.00		16
3TEV	Curtain for changing room in velvet	335.00		16
3MRR/N	Mirror 85x205cm - frame in faced panel	434.00		16
3MRR/L	Mirror 85x205cm - frame in glossy faced panel BLACK/WHITE	512.00		16
3MRR/EP	Mirror 85x205cm - frame covered with synthetic croc printed leather	625.00	*	16
3MRR/EPL	Mirror 85x205cm - frame covered with synthetic croc printed glossy leather	648.00	*	16
3GA	n.1 Hanger in metal	49.00	*	16
3POU/N	Pouf 45x45 H.45cm in faced panel	149.00		16
3POU/L	Pouf 45x45 H.45cm in glossy faced panel BLACK/WHITE	180.00		16
3POU/EP	Pouf 45x45 H.45cm covered with synthetic croc printed leather	241.00	*	16
3POU/EPL	Pouf 45x45 H.45cm covered with synthetic croc printed glossy leather	256.00	*	16

ACCESSORIES				
3BAP	Crossbar (opaque chromium finishing). L.115cm	88.00	*	17
3RML	Pair of shelves holder for wood. In matt chromium finishing. L.30cm	36.50	*	17
3MEBAP/L	Pair of shelves holder for wood. With hanging bar hook. In matt chromium finishing. L.30cm	44.00	*	17
3RML	Single shelf holder in matt chromium finishing.	23.00	*	17
3MEBAP/V	Pair of shelves holder for 8mm glass. With hanging bar hook. In matt chromium finishing. L.30cm	50.00	*	17
3RM/V	Pair of shelves holder for 8mm glass. In matt chromium finishing. L.30cm	41.00	*	17
3RMM/V	Single shelf holder (for medium shelf). For 8mm glass shelf. In matt chromium finishing.	73.00	*	17
3RMS/V	Single shelf holder (for small shelf). For 8mm glass shelf. In matt chromium finishing.	39.50	*	17
3APF	Straight frontal crossbar (opaque chromium finishing). L.30cm	36.50	*	17
3APFZ	Tilted frontal crossbar (opaque chromium finishing). L.38cm	79.00	*	17
3BAP2	Small crossbar in matt chromium finishing. L.40xP.30cm	85.00	*	17
3RT	Holder for oval tube 30x15mm matt chromium finishing.	26.00	*	17
3TUB	Oval tube 30x15mm in matt chromium finishing. Complete with closing claps. L.120cm.	38.00	*	17
3BLIST	Bilster holder for oval tube 30x15mm matt chromium finishing.	18.50	*	17
3MEV	Tempered glass shelf. L.115xP.40cm, sp.8mm	67.00	*	18
3ME/L	Shelf in glossy faced panel UV-painted (Black/White). L.115xP.40cm, sp.18mm	84.00	*	18
3ME/N	Faced panel shelf. L.115xP.40cm, sp.18mm	59.00	*	18
3ME/ST	Shelf in real stone veneer. L.115xP.40cm, sp.18mm	312.00		18
3MEM/V	Tempered glass shelf. L.40xP.40cm, sp.8mm	36.50	*	18
3ME/L	Shelf in glossy faced panel UV-painted (Black/White). L.55xP.40cm, sp.18mm	61.00	*	18
3MEM/N	Faced panel shelf. L.55xP.40cm, sp.18mm	42.50	*	18
3MEM/ST	Shelf in real stone veneer. L.55xP.40cm, sp.18mm	177.00		18
3MES/V	Tempered glass shelf. L.40xP.20cm, sp.8mm	33.50	*	18
3MES/L	Shelf in glossy faced panel UV-painted (Black/White). L.35xP.20cm, sp.18mm	45.50	*	18
3MES/N	Faced panel shelf. L.35xP.20cm, sp.18mm	32.00	*	18
3MES/ST	Shelf in real stone veneer. L.35xP.20cm, sp.18mm	99.00		18



Preise ab unseren Lokalitäten. Preisänderung vorbehalten.
Diese Preisliste annulliert die vorhergehende.
Lieferfrist ca. 4 Wochen ab Auftragsbestätigung. **Exkl. MwSt**
Fotos, Farben und Grössen können vom Original abweichen.

Prix départ de nos locaux. Sous réserve de modifications. **TVA non incluse**
La présente liste annule et remplace toute précédente liste.
Délai de livraison hors stock, env. 4 sem. dès confirmation commande.
Photos, couleurs et mesures non contractuelles.

DITTA DISPLAY
info@dittadisplay.ch
www.dittadisplay.ch

TMC Galleria, Thurgauerstr. 119,
8152 Glattpark / Opfikon ZH
TEL 043 495 06 61 FAX 043 495 06 62

Ch. des Champs-Courbes 1,
ZI En Vallaire Est, 1024 Ecublens VD
TEL 021 691 12 12 FAX 021 691 13 13