

Ladeneinrichtungen und Zubehör  
Agencement de magasins et fournitures



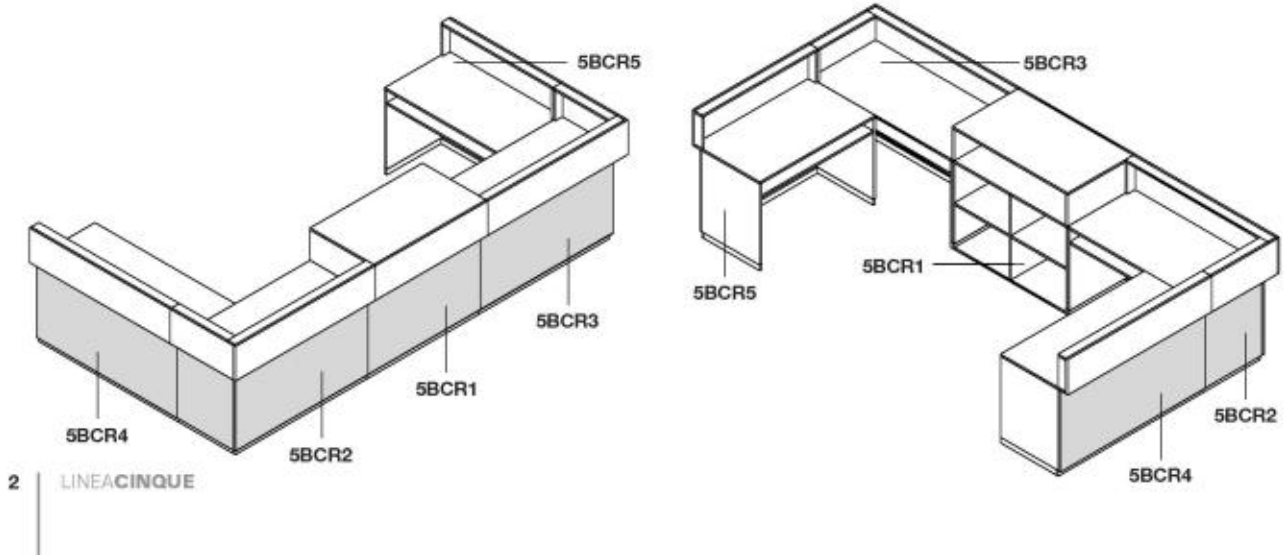
DITTA DISPLAY  
info@dittadisplay.ch  
www.dittadisplay.ch

TMC Galleria, Thurgauerstr. 119,  
8152 Glattpark / Opfikon ZH  
TEL 043 495 06 61 FAX 043 495 06 62

Ch. des Champs-Courbes 1,  
ZI En Vallaire Est, 1024 Ecublens VD  
TEL 021 691 12 12 FAX 021 691 13 13



FRONTALE RIGIDO  
RIGID FRONTAL

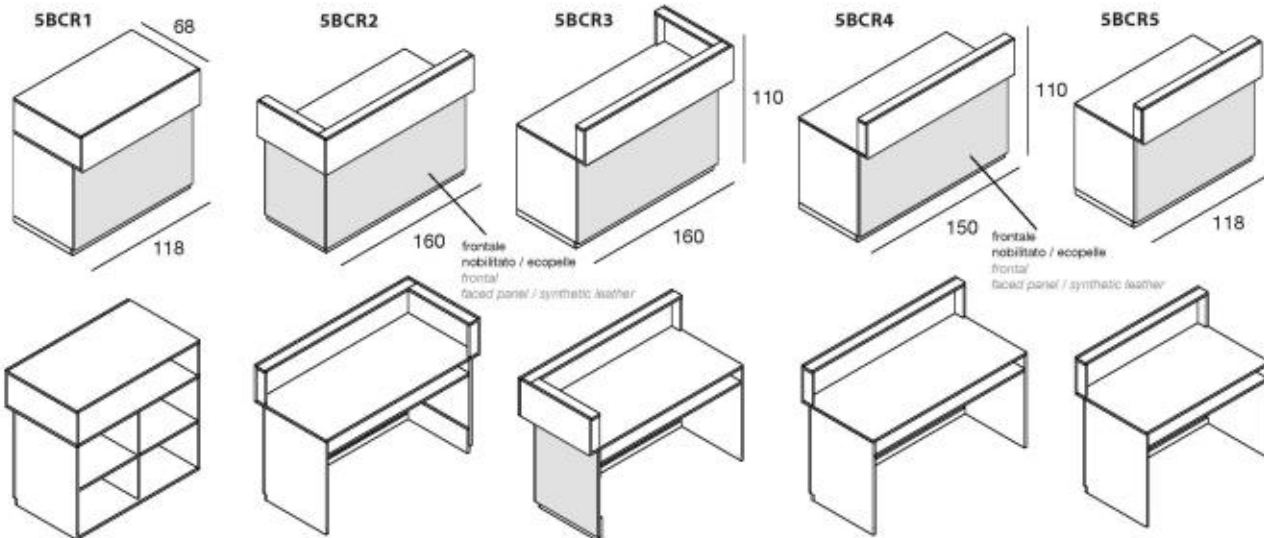


DITTA DISPLAY  
info@dittadisplay.ch  
www.dittadisplay.ch

TMC Galleria, Thurgauerstr. 119,  
8152 Glattpark / Opfikon ZH  
TEL 043 495 06 61 FAX 043 495 06 62

Ch. des Champs-Courbes 1,  
ZI En Vallaire Est, 1024 Ecublens VD  
TEL 021 691 12 12 FAX 021 691 13 13

**BANCHI CASSA CON FRONTALE RIVESTITO**  
CASH COUNTERS WITH COATED FRONTAL



**5BCR1/N**

nobilitato  
faced panel  
L118 x P68 x H110 cm

**5BCS1/NEP**

nobilitato  
ecopelle st. coccodrillo  
faced panel  
synth. croc printed leather  
L118 x P68 x H110 cm

**5BCS1/NEPL**

nobilitato  
ecopelle st. coccodrillo lucido  
faced panel  
synth. croc printed glossy leather  
L118 x P68 x H110 cm

**5BCR2/N**

nobilitato  
faced panel  
L160 x P68 x H110 cm

**5BCR2/NEP**

nobilitato  
ecopelle st. coccodrillo  
faced panel  
synth. croc printed leather  
L160 x P68 x H110 cm

**5BCR2/NEPL**

nobilitato  
ecopelle st. coccodrillo lucido  
faced panel  
synth. croc printed glossy leather  
L160 x P68 x H110 cm

**5BCR3/N**

nobilitato  
faced panel  
L160 x P68 x H110 cm

**5BCR3/NEP**

nobilitato  
ecopelle st. coccodrillo  
faced panel  
synth. croc printed leather  
L160 x P68 x H110 cm

**5BCR3/NEPL**

nobilitato  
ecopelle st. coccodrillo lucido  
faced panel  
synth. croc printed glossy leather  
L160 x P68 x H110 cm

**5BCR4/N**

nobilitato  
faced panel  
L150 x P68 x H110 cm

**5BCR4/NEP**

nobilitato  
ecopelle st. coccodrillo  
faced panel  
synth. croc printed leather  
L150 x P68 x H110 cm

**5BCR4/NEPL**

nobilitato  
ecopelle st. coccodrillo lucido  
faced panel  
synth. croc printed glossy leather  
L150 x P68 x H110 cm

**5BCR5/N**

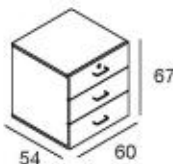
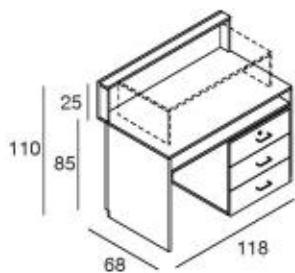
nobilitato  
faced panel  
L118 x P68 x H110 cm

**5BCR5/NEP**

nobilitato  
ecopelle st. coccodrillo  
faced panel  
synth. croc printed leather  
L118 x P68 x H110 cm

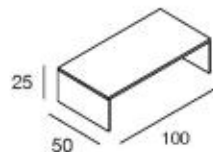
**5BCR5/NEPL**

nobilitato  
ecopelle st. coccodrillo lucido  
faced panel  
synth. croc printed glossy leather  
L118 x P68 x H110 cm



**5CAS/N**

cassettiera  
nobilitato  
chest of drawers  
faced panel  
L60 x P54 x H67 cm



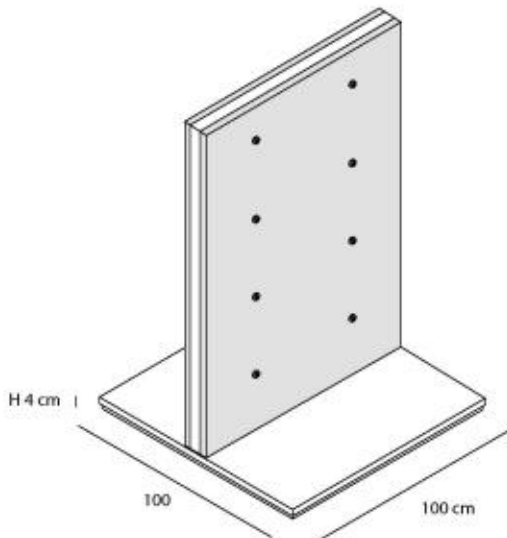
**5PR/N**

piano rialzato  
nobilitato  
raised surface  
faced panel  
L100 x P50 x H25 cm



**ISOLA AUTOPORTANTE**  
*FREESTANDING ISLAND*

**FRONTALE RIGIDO**  
*RIGID FRONTAL*



**5ISR/EP**

isola  
base e struttura in nobilitato  
frontali in ecopelle st. coccodrillo  
*island*  
*base and structure in faced panel*  
*fronts in synthetic croc printed leather*  
L100 x P100 x H150 cm

150 cm

**5ISR/EPL**

isola  
base e struttura in nobilitato  
frontali in ecopelle st. coccodrillo lucido  
*island*  
*base and structure in faced panel*  
*fronts in synthetic croc printed glossy leather*  
L100 x P100 x H150 cm

4 | LINEACINQUE

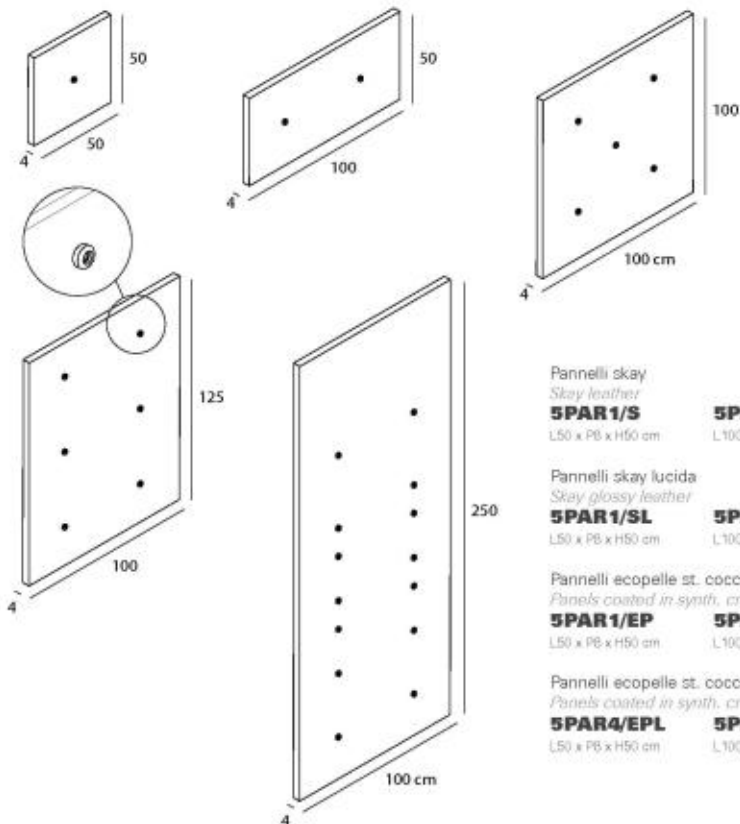
DITTA DISPLAY  
info@dittadisplay.ch  
www.dittadisplay.ch

TMC Galleria, Thurgauerstr. 119,  
8152 Glattpark / Opfikon ZH  
TEL 043 495 06 61 FAX 043 495 06 62

Ch. des Champs-Courbes 1,  
ZI En Vallaire Est, 1024 Ecublens VD  
TEL 021 691 12 12 FAX 021 691 13 13



**PANNELLI RIGIDI**  
**RIGID PANELS**



Pannelli skay

*Skay leather*

**5PAR1/S**

L50 x PB x H50 cm

**5PAR2/S**

L100 x PB x H50 cm

**5PAR3/S**

L100 x PB x H100 cm

**5PAR4/S**

L100 x PB x H125 cm

**5PAR5/S**

L100 x PB x H250 cm

Pannelli skay lucida

*Skay glossy leather*

**5PAR1/SL**

L50 x PB x H50 cm

**5PAR2/SL**

L100 x PB x H50 cm

**5PAR3/SL**

L100 x PB x H100 cm

**5PAR4/SL**

L100 x PB x H125 cm

**5PAR5/SL**

L100 x PB x H250 cm

Pannelli ecopelle st. cocodrillo

*Panels coated in synth. croc printed leather*

**5PAR1/EP**

L50 x PB x H50 cm

**5PAR2/EP**

L100 x PB x H50 cm

**5PAR3/EP**

L100 x PB x H100 cm

**5PAR4/EP**

L100 x PB x H125 cm

**5PAR5/EP**

L100 x PB x H250 cm

Pannelli ecopelle st. cocodrillo lucido

*Panels coated in synth. croc printed glossy leather*

**5PAR4/EPL**

L50 x PB x H50 cm

**5PAR4/EPL**

L100 x PB x H50 cm

**5PAR4/EPL**

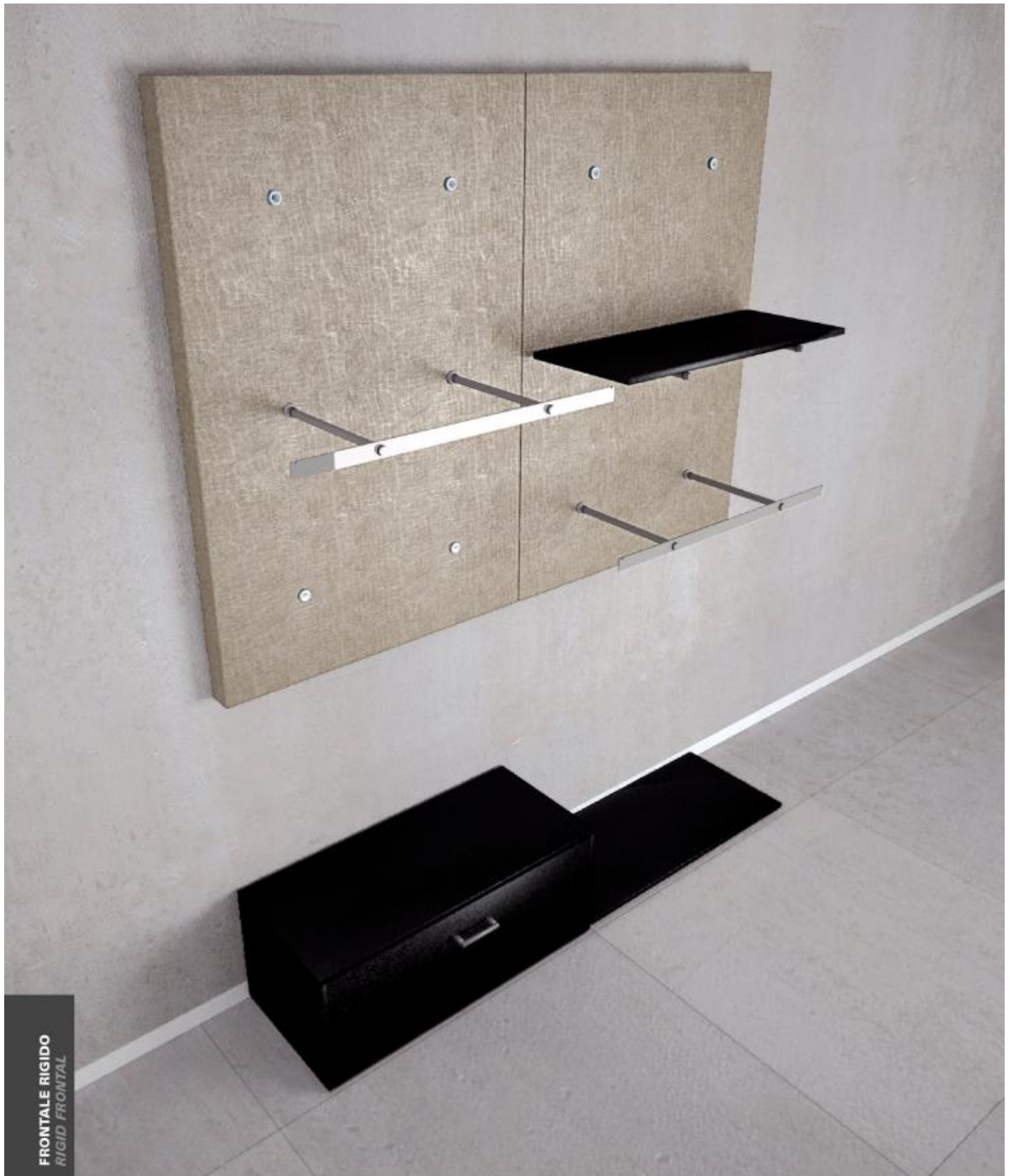
L100 x PB x H100 cm

**5PAR4/EPL**

L100 x PB x H125 cm

**5PAR4/EPL**

L100 x PB x H250 cm



FRONTALE RIGIDO  
RIGID FRONTAL

6 | LINEACINQUE

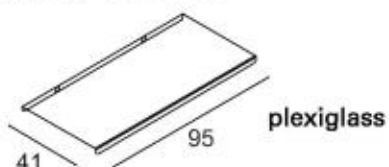
DITTA DISPLAY  
info@dittadisplay.ch  
www.dittadisplay.ch

TMC Galleria, Thurgauerstr. 119,  
8152 Glattpark / Opfikon ZH  
TEL 043 495 06 61 FAX 043 495 06 62

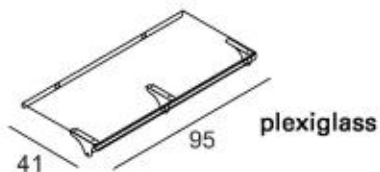
Ch. des Champs-Courbes 1,  
ZI En Vallaire Est, 1024 Ecublens VD  
TEL 021 691 12 12 FAX 021 691 13 13

**ACCESSORI**  
**ACCESSORIES**

**mensole - shelves**



plexiglass



plexiglass



nobilitato - faced panel



nobilitato - faced panel

**SME/PLEX**

mensole  
plex trasparente - satinato  
*shelves*  
transparent or satinized plexiglass  
L95 x P41 cm - sp. 6 mm

**SMEA/PLEX**

mensola con appendice  
plex trasparente - satinato  
*shelf with hanger*  
transparent or satinized plexiglass  
L95 x P41 cm - sp. 6 mm



**SME/N**

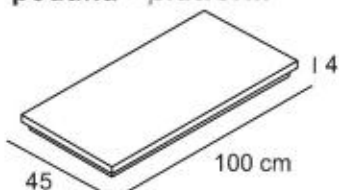
mensola  
nobilitato  
*shelf*  
faced panel  
L95 x P40 cm - sp. 18 mm

**SMEA/PLEX**

mensola con appendice  
nobilitato  
*shelf with hanger*  
faced panel  
L95 x P40 cm - sp. 18 mm



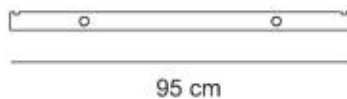
**pedana - platform**



**SPED/N**

pedana  
nobilitato  
rialzata con zoccolo  
*platform*  
faced panel  
raised with baseboard  
L100 x P45 x H4 cm

**barra appendice - crossbar**

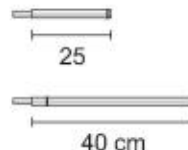


**SBAP**

barra appendice  
acciaio spazzolato  
*crossbar*  
brushed steel  
L95 x H3,5 cm - sp. 5 mm



**perni - pins**



**SPP**

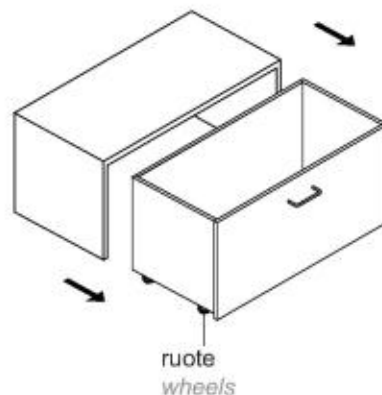
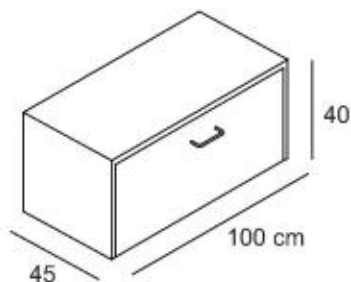
perno app. frontale  
alluminio  
*frontal hanging pin*  
aluminium  
L25 cm Ø 20 mm

**SPG**

coppia perni  
alluminio  
*pair of supporting pins*  
aluminium  
L40 cm Ø 20 mm



**cassettiera - chest of drawer**



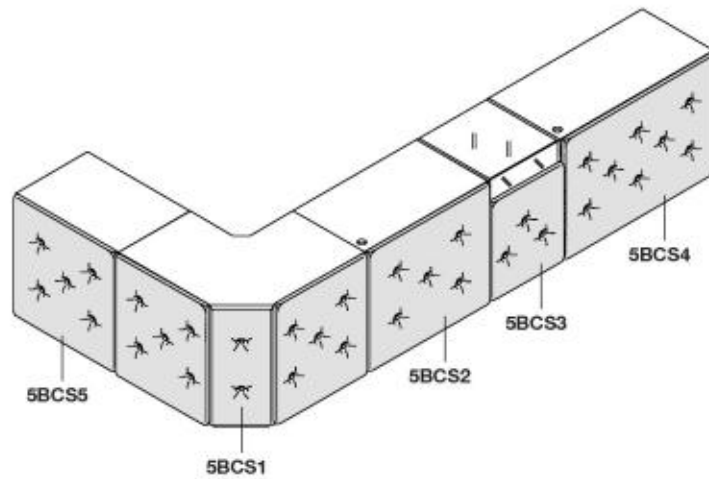
**SCA/N**

cassettiera  
nobilitato  
*chest of drawers*  
faced panel  
L100 x P45 x H40 cm

SYNTHETICLEATHER | 7



FRONTALE IMBOTTITO  
PADDED FRONTAL



8 LINEACINQUE

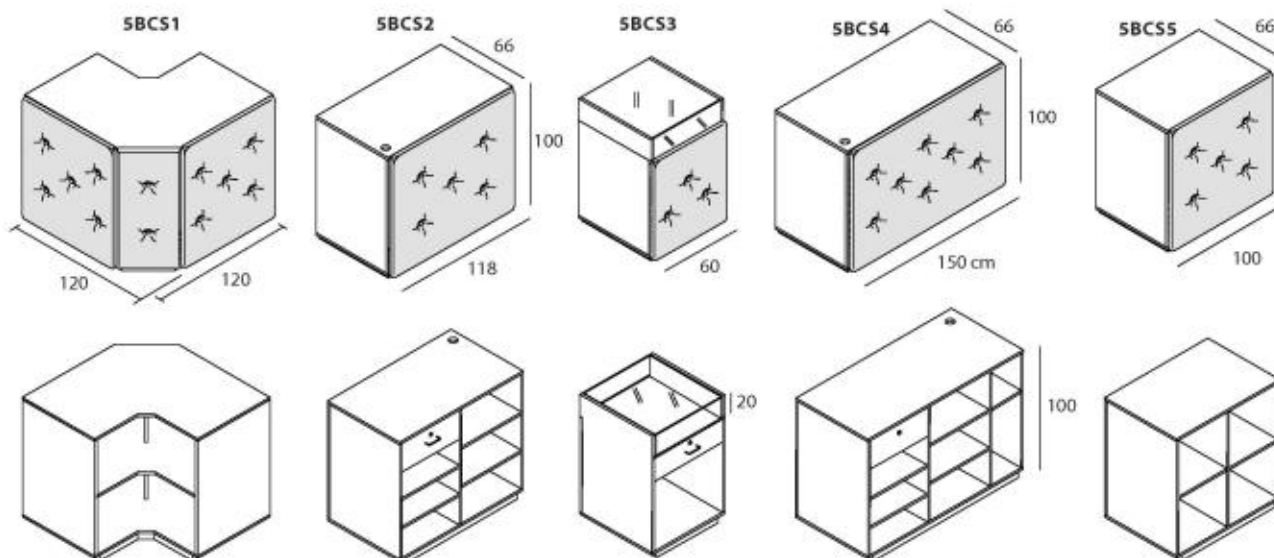
DITTA DISPLAY  
info@dittadisplay.ch  
www.dittadisplay.ch

TMC Galleria, Thurgauerstr. 119,  
8152 Glattpark / Opfikon ZH  
TEL 043 495 06 61 FAX 043 495 06 62

Ch. des Champs-Courbes 1,  
ZI En Vallaire Est, 1024 Ecublens VD  
TEL 021 691 12 12 FAX 021 691 13 13



**BANCHI CASSA CON FRONTALE IMBOTTITO**  
**CASH COUNTERS WITH PADDED FRONTAL**



**5BCS1/NS**

struttura in nobilitato frontali skay  
*structure in faced panel frontals in skay leather*  
 L120 x P120 x H100 cm

**5BCS1/NSL**

struttura in nobilitato frontali skay lucida  
*structure in faced panel frontals in skay glossy leather*  
 L120 x P120 x H100 cm

**5BCS1/NEP**

struttura in nobilitato frontali ecopelle st. coccodrillo  
*structure in faced panel frontals in synth. croc printed leather*  
 L120 x P120 x H100 cm

**5BCS1/NEPL**

struttura in nobilitato frontali ecopelle st. coccodrillo lucido  
*structure in faced panel frontals in synth. croc printed glossy leather*  
 L120 x P120 x H100 cm

**5BCS2/NS**

struttura in nobilitato frontali skay  
*structure in faced panel frontals in skay leather*  
 L118 x P66 x H100 cm

**5BCS2/NSL**

struttura in nobilitato frontali skay lucida  
*structure in faced panel frontals in skay glossy leather*  
 L118 x P66 x H100 cm

**5BCS2/NEP**

struttura in nobilitato frontali ecopelle st. coccodrillo  
*structure in faced panel frontals in synth. croc printed leather*  
 L118 x P66 x H100 cm

**5BCS2/NEPL**

struttura in nobilitato frontali ecopelle st. coccodrillo lucido  
*structure in faced panel frontals in synth. croc printed glossy leather*  
 L118 x P66 x H100 cm

**5BCS3/NS**

struttura in nobilitato frontali skay  
*structure in faced panel frontals in skay leather*  
 L60 x P66 x H100 cm

**5BCS3/NSL**

struttura in nobilitato frontali skay lucida  
*structure in faced panel frontals in skay glossy leather*  
 L60 x P66 x H100 cm

**5BCS3/NEP**

struttura in nobilitato frontali ecopelle st. coccodrillo  
*structure in faced panel frontals in synth. croc printed leather*  
 L60 x P66 x H100 cm

**5BCS3/NEPL**

struttura in nobilitato frontali ecopelle st. coccodrillo lucido  
*structure in faced panel frontals in synth. croc printed glossy leather*  
 L60 x P66 x H100 cm

**5BCS4/NS**

struttura in nobilitato frontali skay  
*structure in faced panel frontals in skay leather*  
 L150 x P66 x H100 cm

**5BCS4/NSL**

struttura in nobilitato frontali skay lucida  
*structure in faced panel frontals in skay glossy leather*  
 L150 x P66 x H100 cm

**5BCS4/NEP**

struttura in nobilitato frontali ecopelle st. coccodrillo  
*structure in faced panel frontals in synth. croc printed leather*  
 L150 x P66 x H100 cm

**5BCS4/NEPL**

struttura in nobilitato frontali ecopelle st. coccodrillo lucido  
*structure in faced panel frontals in synth. croc printed glossy leather*  
 L150 x P66 x H100 cm

**5BCS5/NS**

struttura in nobilitato frontali skay  
*structure in faced panel frontals in skay leather*  
 L100 x P66 x H100 cm

**5BCS5/NSL**

struttura in nobilitato frontali skay lucida  
*structure in faced panel frontals in skay glossy leather*  
 L100 x P66 x H100 cm

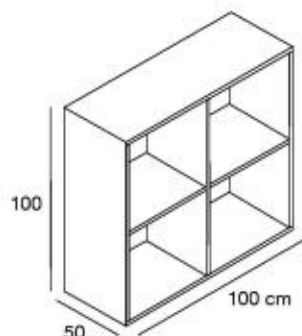
**5BCS5/NEP**

struttura in nobilitato frontali ecopelle st. coccodrillo  
*structure in faced panel frontals in synth. croc printed leather*  
 L100 x P66 x H100 cm

**5BCS5/NEPL**

struttura in nobilitato frontali ecopelle st. coccodrillo lucido  
*structure in faced panel frontals in synth. croc printed glossy leather*  
 L100 x P66 x H100 cm

**MODULO RETRO CASSA**  
**BACK-CASH MODULE**



**5RC/N**

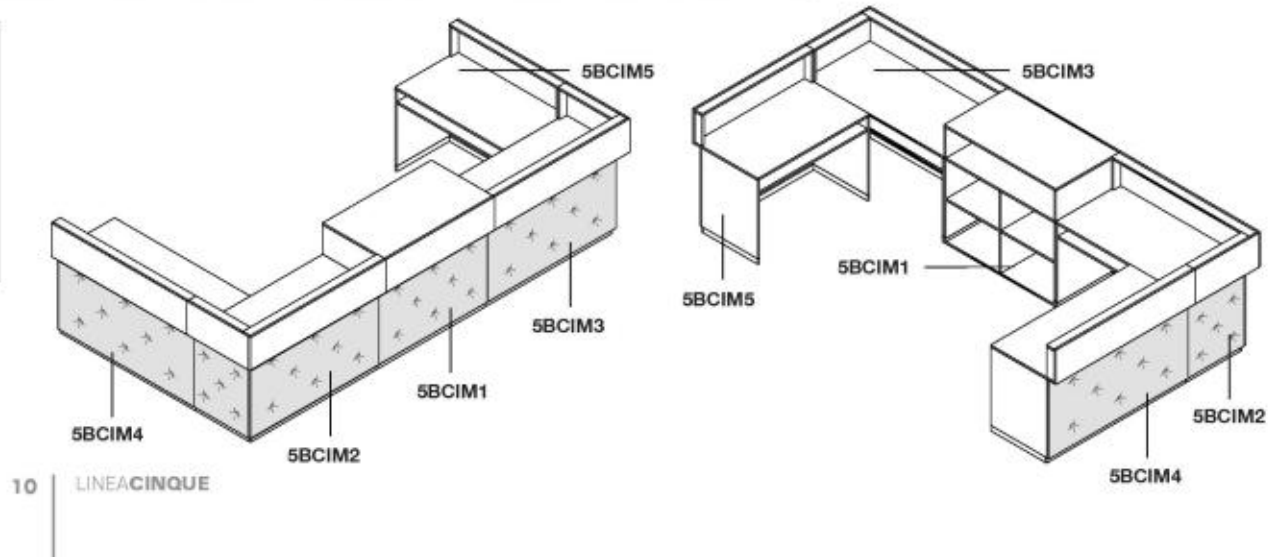
nobilitato  
*faced panel*  
 L100 x P50 x H100 cm

**5RC/NL**

nobilitato lucido  
*glossy faced panel*  
 L100 x P50 x H100 cm



FRONTALE IMBOTTITO  
PADDED FRONTAL

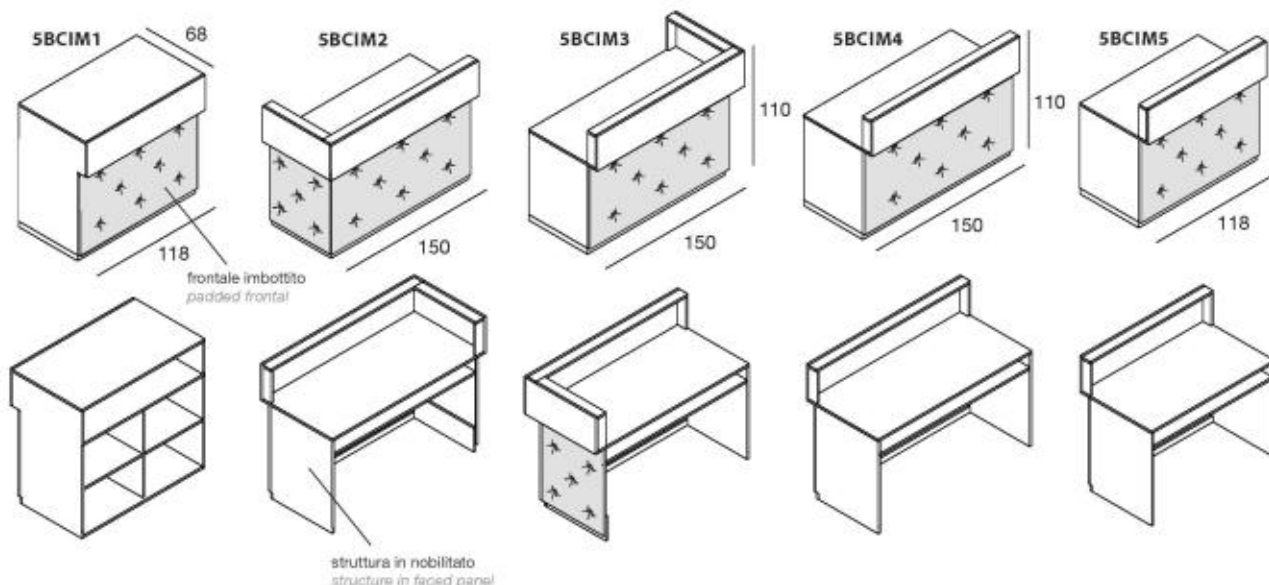


DITTA DISPLAY  
info@dittadisplay.ch  
www.dittadisplay.ch

TMC Galleria, Thurgauerstr. 119,  
8152 Glattpark / Opfikon ZH  
TEL 043 495 06 61 FAX 043 495 06 62

Ch. des Champs-Courbes 1,  
ZI En Vallaire Est, 1024 Ecublens VD  
TEL 021 691 12 12 FAX 021 691 13 13

**BANCHI CASSA CON FRONTALE IMBOTTITO**  
**CASH COUNTERS WITH PADDED FRONTAL**



**5BCIM1/NS**  
 struttura in nobilitato  
 frontali skay  
 structure in faced panel  
 frontals in skay leather  
 L118 x P68 x H110 cm

**5BCIM2/NS**  
 struttura in nobilitato  
 frontali skay  
 structure in faced panel  
 frontals in skay leather  
 L150 x P68 x H100 cm

**5BCIM3/NS**  
 struttura in nobilitato  
 frontali skay  
 structure in faced panel  
 frontals in skay leather  
 L150 x P68 x H100 cm

**5BCIM4/NS**  
 struttura in nobilitato  
 frontali skay  
 structure in faced panel  
 frontals in skay leather  
 L150 x P68 x H100 cm

**5BCIM5/NS**  
 struttura in nobilitato  
 frontali skay  
 structure in faced panel  
 frontals in skay leather  
 L118 x P68 x H110 cm

**5BCIM1/NSL**  
 struttura in nobilitato  
 frontali skay lucida  
 structure in faced panel  
 frontals in skay glossy leather  
 L118 x P68 x H110 cm

**5BCIM2/NSL**  
 struttura in nobilitato  
 frontali skay lucida  
 structure in faced panel  
 frontals in skay glossy leather  
 L150 x P68 x H100 cm

**5BCIM3/NSL**  
 struttura in nobilitato  
 frontali skay lucida  
 structure in faced panel  
 frontals in skay glossy leather  
 L150 x P68 x H100 cm

**5BCIM4/NSL**  
 struttura in nobilitato  
 frontali skay lucida  
 structure in faced panel  
 frontals in skay glossy leather  
 L150 x P68 x H100 cm

**5BCIM5/NSL**  
 struttura in nobilitato  
 frontali skay lucida  
 structure in faced panel  
 frontals in skay glossy leather  
 L118 x P68 x H110 cm

**5BCIM1/NEP**  
 struttura in nobilitato  
 frontali ecopelle st. coccodrillo  
 structure in faced panel  
 frontals in synth. croc printed  
 leather  
 L118 x P68 x H110 cm

**5BCIM2/NEP**  
 struttura in nobilitato  
 frontali ecopelle st. coccodrillo  
 structure in faced panel  
 frontals in synth. croc printed  
 leather  
 L150 x P68 x H100 cm

**5BCIM3/NEP**  
 struttura in nobilitato  
 frontali ecopelle st. coccodrillo  
 structure in faced panel  
 frontals in synth. croc printed  
 leather  
 L150 x P68 x H100 cm

**5BCIM4/NEP**  
 struttura in nobilitato  
 frontali ecopelle st. coccodrillo  
 structure in faced panel  
 frontals in synth. croc printed  
 leather  
 L150 x P68 x H100 cm

**5BCIM5/NEP**  
 struttura in nobilitato  
 frontali ecopelle st. coccodrillo  
 structure in faced panel  
 frontals in synth. croc printed  
 leather  
 L118 x P68 x H110 cm

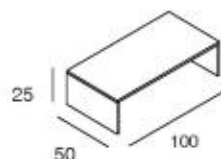
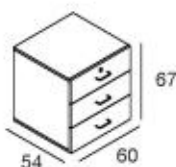
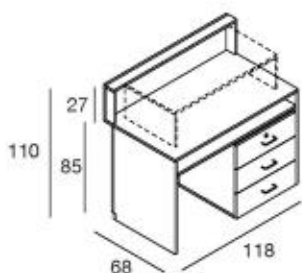
**5BCIM1/NEPL**  
 struttura in nobilitato  
 frontali ecopelle st. coccodrillo  
 lucido  
 structure in faced panel  
 frontals in synth. croc printed  
 glossy leather  
 L118 x P68 x H110 cm

**5BCIM2/NEPL**  
 struttura in nobilitato  
 frontali ecopelle st. coccodrillo  
 lucido  
 structure in faced panel  
 frontals in synth. croc printed  
 glossy leather  
 L150 x P68 x H100 cm

**5BCIM3/NEPL**  
 struttura in nobilitato  
 frontali ecopelle st. coccodrillo  
 lucido  
 structure in faced panel  
 frontals in synth. croc printed  
 glossy leather  
 L150 x P68 x H100 cm

**5BCIM4/NEPL**  
 struttura in nobilitato  
 frontali ecopelle st. coccodrillo  
 lucido  
 structure in faced panel  
 frontals in synth. croc printed  
 glossy leather  
 L150 x P68 x H100 cm

**5BCIM5/NEPL**  
 struttura in nobilitato  
 frontali ecopelle st. coccodrillo  
 lucido  
 structure in faced panel  
 frontals in synth. croc printed  
 glossy leather  
 L118 x P68 x H110 cm

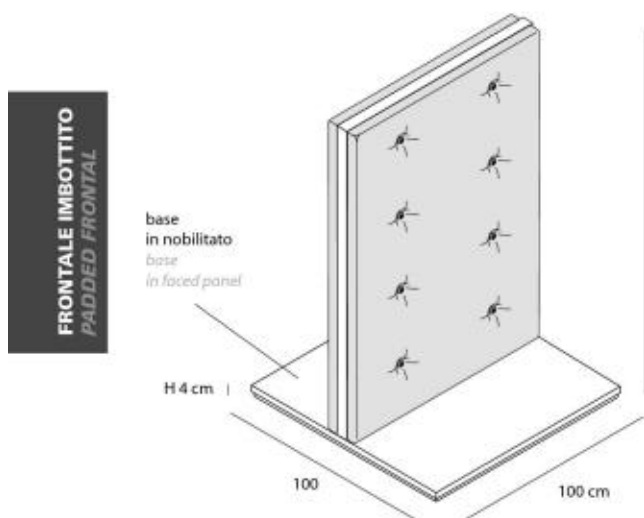


**5CAS/N**  
 cassettera  
 nobilitato  
 chest of drawers  
 faced panel  
 L60 x P54 x H67 cm

**5PR/N**  
 piano rialzato  
 nobilitato  
 raised surface  
 faced panel  
 L100 x P50 x H25 cm



**ISOLA AUTOPORTANTE IMBOTTITA - FREESTANDING ISLAND PADDED FRONTAL**



**5IS/S**

isola  
base e struttura in nobilitato  
frontali in skay  
island  
base and structure in faced panel  
fronts in skay leather  
L100 x P100 x H150 cm

**5IS/EP**

isola  
base e struttura in nobilitato  
frontali in ecopelle st. coccodrillo  
island  
base and structure in faced panel  
fronts in synthetic croc printed leather  
L100 x P100 x H150 cm

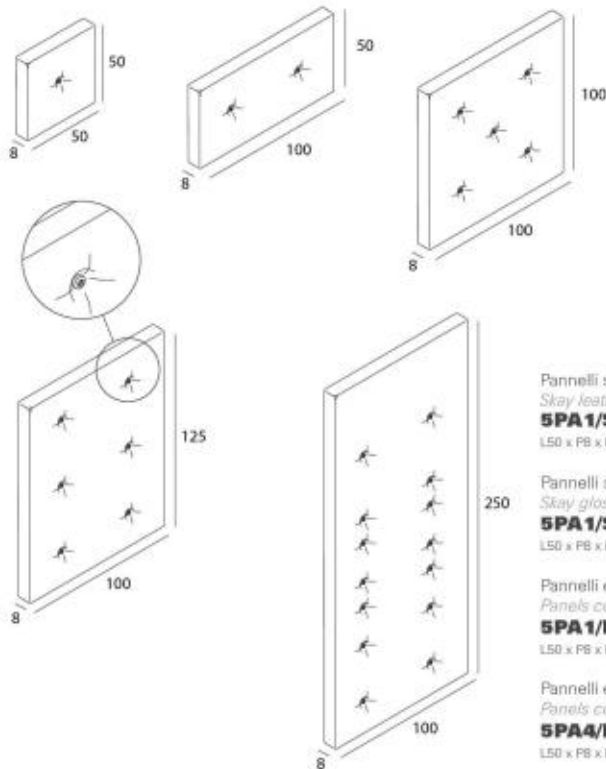
**5IS/SL**

isola  
base e struttura in nobilitato  
frontali in skay lucida  
island  
base and structure in faced panel  
fronts in skay glossy leather  
L100 x P100 x H150 cm

**5IS/EPL**

isola  
base e struttura in nobilitato  
frontali in ecopelle st. coccodrillo lucido  
island  
base and structure in faced panel  
fronts in synthetic croc printed glossy leather  
L100 x P100 x H150 cm

**PANNELLI ATTREZZABILI IMBOTTITI**  
EQUIPABLE PADDED PANELS



Pannelli skay  
*Skay leather*

**5PA1/S**  
L50 x PB x H50 cm

**5PA2/S**  
L100 x PB x H50 cm

**5PA3/S**  
L100 x PB x H100 cm

**5PA4/S**  
L100 x PB x H125 cm

**5PA5/S**  
L100 x PB x H250 cm

Pannelli skay lucida  
*Skay glossy leather*

**5PA1/SL**  
L50 x PB x H50 cm

**5PA2/SL**  
L100 x PB x H50 cm

**5PA3/SL**  
L100 x PB x H100 cm

**5PA4/SL**  
L100 x PB x H125 cm

**5PA5/SL**  
L100 x PB x H250 cm

Pannelli ecopelle st. coccodrillo  
*Panels coated in synth. croc printed leather*

**5PA1/EP**  
L50 x PB x H50 cm

**5PA2/EP**  
L100 x PB x H50 cm

**5PA3/EP**  
L100 x PB x H100 cm

**5PA4/EP**  
L100 x PB x H125 cm

**5PA5/EP**  
L100 x PB x H250 cm

Pannelli ecopelle st. coccodrillo lucido  
*Panels coated in synth. croc printed glossy leather*

**5PA4/EPL**  
L50 x PB x H50 cm

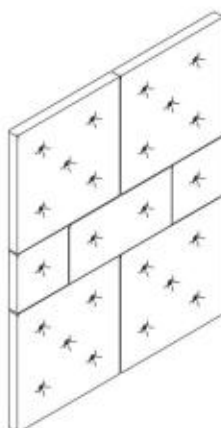
**5PA4/EPL**  
L100 x PB x H50 cm

**5PA4/EPL**  
L100 x PB x H100 cm

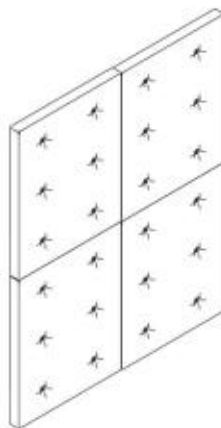
**5PA4/EPL**  
L100 x PB x H125 cm

**5PA4/EPL**  
L100 x PB x H250 cm

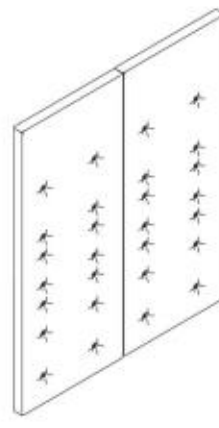
**PANNELLI IMBOTTITI - COMPOSIZIONI**  
PADDED PANELS - COMPOSITIONS



H 50 / 100 cm



H 125 cm



H 250 cm



FRONTALE IMBOTTITO  
PADDED FRONTAL

 LINEACINQUE

DITTA DISPLAY  
info@dittadisplay.ch  
www.dittadisplay.ch

TMC Galleria, Thurgauerstr. 119,  
8152 Glattpark / Opfikon ZH  
TEL 043 495 06 61 FAX 043 495 06 62

Ch. des Champs-Courbes 1,  
ZI En Vallaire Est, 1024 Ecublens VD  
TEL 021 691 12 12 FAX 021 691 13 13



SYNTHETICLEATHER | 15

DITTA DISPLAY  
info@dittadisplay.ch  
www.dittadisplay.ch

TMC Galleria, Thurgauerstr. 119,  
8152 Glattpark / Opfikon ZH  
TEL 043 495 06 61 FAX 043 495 06 62

Ch. des Champs-Courbes 1,  
ZI En Vallaire Est, 1024 Ecublens VD  
TEL 021 691 12 12 FAX 021 691 13 13



FRONTALE IMBOTTITO  
PADDED FRONTAL

DITTA DISPLAY  
[info@dittadisplay.ch](mailto:info@dittadisplay.ch)  
[www.dittadisplay.ch](http://www.dittadisplay.ch)

TMC Galleria, Thurgauerstr. 119,  
 8152 Glattpark / Opfikon ZH  
 TEL 043 495 06 61 FAX 043 495 06 62

Ch. des Champs-Courbes 1,  
 ZI En Vallaire Est, 1024 Ecublens VD  
 TEL 021 691 12 12 FAX 021 691 13 13





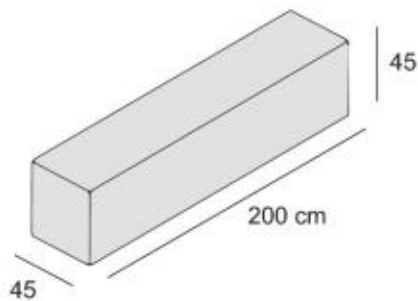
DITTA DISPLAY  
info@dittadisplay.ch  
www.dittadisplay.ch

TMC Galleria, Thurgauerstr. 119,  
8152 Glattpark / Opfikon ZH  
TEL 043 495 06 61 FAX 043 495 06 62

Ch. des Champs-Courbes 1,  
ZI En Vallaire Est, 1024 Ecublens VD  
TEL 021 691 12 12 FAX 021 691 13 13



**POUF IMBOTTITI**  
**PADDED POUF**

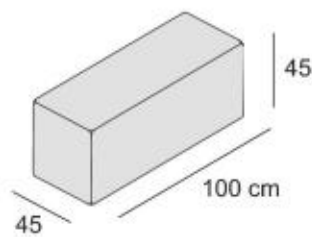


**5POU1/S**  
skay  
skay leather  
L200 x P45 x H45 cm

**5POU1/SL**  
skay lucida  
skay glossy leather  
L200 x P45 x H45 cm

**5POU1/EP**  
ecopelle st. coccodrillo  
synth. croc printed leather  
L200 x P45 x H45 cm

**5POU1/EPL**  
ecopelle st. coccodrillo lucido  
synth. croc printed glossy leather  
L200 x P45 x H45 cm

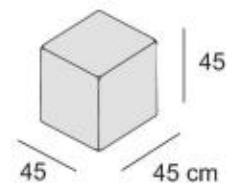


**5POU2/S**  
skay vernice lucida  
skay glossy leather  
L100 x P45 x H45 cm

**5POU2/SL**  
skay lucida  
skay glossy leather  
L100 x P45 x H45 cm

**5POU2/EP**  
ecopelle st. coccodrillo  
synth. croc printed leather  
L100 x P45 x H45 cm

**5POU2/EPL**  
ecopelle st. coccodrillo lucido  
synth. croc printed glossy leather  
L100 x P45 x H45 cm



**5POU3/S**  
skay vernice lucida  
skay glossy leather  
L45 x P45 x H45 cm

**5POU3/SL**  
skay lucida  
skay glossy leather  
L45 x P45 x H45 cm

**5POU3/EP**  
ecopelle st. coccodrillo  
synth. croc printed leather  
L45 x P45 x H45 cm

**5.POU3/EPL**  
ecopelle st. coccodrillo lucido  
synth. croc printed glossy leather  
L45 x P45 x H45 cm

**CARTELLA COLORI - COLOUR CARD**

**NOBILITATI - FACED PANELS**



BIANCO  
WHITE



GRIGIO SILVER  
SILVER GREY



NERO  
BLACK



LAMIERA OSSIDATA  
OXIDIZED SHEET



ABETE VISSUTO BIANCO  
WHITE VINTAGE FIR



ABETE NODATO  
KNOTTED FIR



ROVERE AMERICANO  
AMERICAN OAK



WENGE  
WENGE

**ECOPELLE STAMPA COCCODRILLO - SYNTHETIC CROC PRINTED LEATHER**



BIANCO  
WHITE



BEIGE  
BEIGE



CASTAGNO  
CHESTNUT



NERO  
BLACK

**CARTELLA COLORI - COLOUR CARD**

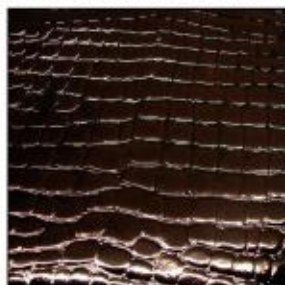
**ECOPELLE STAMPA COCCODRILLO LUCIDO - SYNTHETIC CROC PRINTED GLOSSY LEATHER**



AVORIO  
IVORY



ROSSO RUBINO  
RUBY RED



TESTA DI MORO  
DARK BROWN



GRIGIO  
GREY

**SKAY - SKAY LEATHER**



BIANCO  
WHITE



BEIGE  
BEIGE



TESTA DI MORO  
DARK BROWN



NERO  
BLACK

**SKAY LUCIDA - SKAY GLOSSY LEATHER**



BIANCO  
WHITE

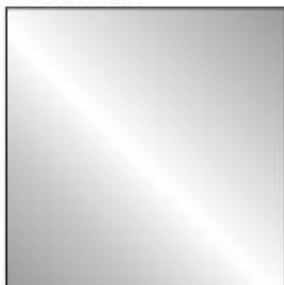


NERO  
BLACK



ROSSO  
RED

**PLEXIGLASS**



TRASPARENTE  
CLEAR

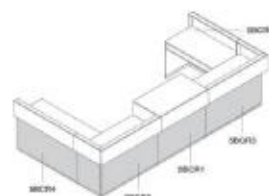
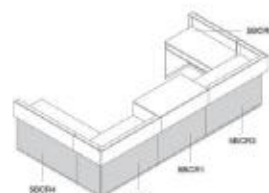
**ACCIAIO - STEEL**



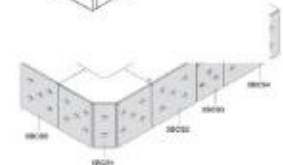
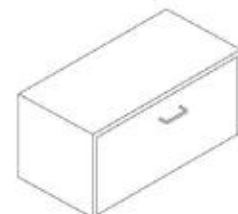
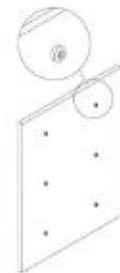
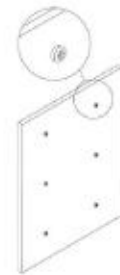
SPAZZOLATO  
BRUSHED

## 5|LINEACINQUE - PRICE LIST

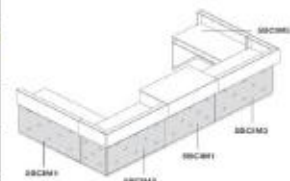
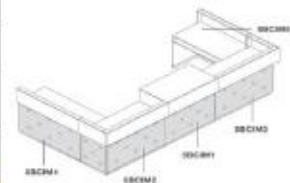
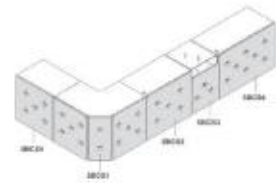
CODE	DESCRIPTION	PRICE	JUST IN TIME	PAGE
<b>CASH COUNTERS</b>				
5BCR1/N	Cash counter 118x68 H.110cm in faced panel - 5 compartments - front in faced panel	1'234.00		3
5BCR2/N	Cash counter 160x68 H.110cm in faced panel - front and lateral in faced panel	1'097.00		3
5BCR3/N	Cash counter 160x68 H.110cm in faced panel - front and lateral in faced panel	1'097.00		3
5BCR4/N	Cash counter 150x68 H.110cm - front in faced panel	1'052.00		3
5BCR5/N	Cash counter 118x68 H.110cm - front in faced panel	1'006.00		3
5BCR1/L	Cash counter 118x68 H.110cm with external in glossy faced panel BLACK/WHITE and internal compartments in opaque faced panel - 5 compartments	1'440.00		3
5BCR2/L	Cash counter 160x68 H.110cm with external in glossy faced panel BLACK/WHITE and internal in opaque faced panel	1'372.00		3
5BCR3/L	Cash counter 160x68 H.110cm with external in glossy faced panel BLACK/WHITE and internal in opaque faced panel	1'372.00		3
5BCR4/L	Cash counter 150x68 H.110cm external in glossy faced panel BLACK/WHITE and internal in opaque faced panel	1'303.00		3
5BCR5/L	Cash counter 118x68 H.110cm external in glossy faced panel BLACK/WHITE and internal in opaque faced panel	1'212.00		3
5BCR1/NEP	Cash counter 118x68 H.110cm in faced panel - 5 compartments - front covered with synthetic croc printed leather <b>Attention! Code 5BCS1/NEP is wrong</b>	1'440.00		3
5BCR2/NEP	Cash counter 160x68 H.110cm in faced panel - front and lateral covered with synthetic croc printed leather	1'486.00		3
5BCR3/NEP	Cash counter 160x68 H.110cm in faced panel - front and lateral covered with synthetic croc printed leather	1'486.00		3
5BCR4/NEP	Cash counter 150x68 H.110cm in faced panel - front covered with synthetic croc printed leather	1'280.00		3
5BCR5/NEP	Cash counter 118x68 H.110cm in faced panel - front covered with synthetic croc printed leather	1'212.00		3
5BCR1/NEPL	Cash counter 118x68 H.110cm in faced panel - 5 compartments - front covered with synthetic croc printed glossy leather <b>Attention! Code 5BCS1/NEPL is wrong</b>	1'486.00		3
5BCR2/NEPL	Cash counter 160x68 H.110cm in faced panel - front and lateral covered with synthetic croc printed glossy leather	1'532.00		3
5BCR3/NEPL	Cash counter 160x68 H.110cm in faced panel - front and lateral covered with synthetic croc printed glossy leather	1'532.00		3
5BCR4/NEPL	Cash counter 150x68 H.110cm in faced panel - front covered with synthetic croc printed glossy leather	1'326.00		3
5BCR5/NEPL	Cash counter 118x68 H.110cm in faced panel - front covered with synthetic croc printed glossy leather	1'257.00		3
5CAS/N	Chest of drawers, 3 drawers in faced panel 60x54 H.67cm	541.00		3
5CAS/L	Chest of drawers, 3 drawers in glossy faced panel BLACK/WHITE 60x54 H.67cm	594.00		3
5PR/N	Raised surface in faced panel 100x50 H.25cm	213.00		3
5PR/L	Raised surface in glossy faced panel BLACK/WHITE 100x50 H.25 cm	282.00		3
<b>FREESTANDING ISLANDS WITH COVERED PANELS</b>				
5ISR/N	Freestanding island 100x100 H.150cm completely in faced panel (base, structure and fronts), ferruled	762.00		4
5ISR/L	Freestanding island 100x100 H.150cm completely in glossy faced panel (base, structure and fronts) BLACK/WHITE, ferruled	888.00		4
5ISR/EP	Freestanding island 100x100 H.150cm - base and structure in faced panel - frontal panels covered with synthetic croc printed leather, ferruled	1'067.00		4
5ISR/EPL	Freestanding island 100x100 H.150cm - base and structure in faced panel - frontal panels covered with synthetic croc printed glossy leather, ferruled	1'097.00		4



5ISR/S	Freestanding island 100x100 H.150cm - base and structure in faced panel - frontal panels covered with skay leather, ferruled	930.00		4
5ISR/SL	Freestanding island 100x100 H.150cm - base and structure in faced panel - frontal panels covered with skay glossy leather, ferruled	1'036.00		4
<b>RIGID COVERED EQUIPABLE PANELS</b>				
5PAR1/S	Ferruled panel 50x50cm sp.4cm - covered with skay leather	203.00		5
5PAR2/S	Ferruled panel 100x50cm sp.4cm - covered with skay leather	251.00		5
5PAR3/S	Ferruled panel 100x100cm sp.4cm - covered with skay leather	457.00		5
5PAR4/S	Ferruled panel 100x125cm sp.4cm - covered with skay leather	533.00		5
5PAR5/S	Ferruled panel 100x250cm sp.4cm - covered with skay leather	739.00		5
5PAR1/SL	Ferruled panel 50x50cm sp.4cm - covered with skay glossy leather	218.00	*	5
5PAR2/SL	Ferruled panel 100x50cm sp.4cm - covered with skay glossy leather	259.00	*	5
5PAR3/SL	Ferruled panel 100x100cm sp.4cm - covered with skay glossy leather	465.00	*	5
5PAR4/SL	Ferruled panel 100x125cm sp.4cm - covered with skay glossy leather	541.00	*	5
5PAR5/SL	Ferruled panel 100x250cm sp.4cm - covered with skay glossy leather	754.00		5
5PAR1/EP	Ferruled panel 50x50cm sp.4cm - covered with synthetic croc printed leather	227.00	*	5
5PAR2/EP	Ferruled panel 100x50cm sp.4cm - covered with synthetic croc printed leather	267.00	*	5
5PAR3/EP	Ferruled panel 100x100cm sp.4cm - covered with synthetic croc printed leather	472.00	*	5
5PAR4/EP	Ferruled panel 100x125cm sp.4cm - covered with synthetic croc printed leather	549.00	*	5
5PAR5/EP	Ferruled panel 100x250cm sp.4cm - covered with synthetic croc printed leather	770.00		5
5PAR1/EPL	Ferruled panel 50x50cm sp.4cm - covered with synthetic croc printed glossy leather	241.00	*	5
5PAR2/EPL	Ferruled panel 100x50cm sp.4cm - covered with synthetic croc printed glossy leather	274.00	*	5
5PAR3/EPL	Ferruled panel 100x100cm sp.4cm - covered with synthetic croc printed glossy leather	480.00	*	5
5PAR4/EPL	Ferruled panel 100x125cm sp.4cm - covered with synthetic croc printed glossy leather	556.00	*	5
5PAR5/EPL	Ferruled panel 100x250cm sp.4cm - covered with synthetic croc printed glossy leather	785.00		5
<b>ACCESSORIES</b>				
5ME/PLEX trasp.	Shelf 41x95 th.6cm in trasparent plexiglass	122.00	*	7
5ME/PLEX sat.	Shelf 41x95 th.6cm in satinized plexiglass	137.00		7
5MEA/PLEX trasp.	Shelf with crossbar 41x95 sp.6cm in trasparent plexiglass	198.00	*	7
5MEA/PLEX sat.	Shelf with crossbar 41x95 sp.6cm in satinized plexiglass	213.00		7
5ME/N	Shelf 40x95 th.18cm in faced panel	56.00	*	7
5ME/L	Shelf 40x95 th.18cm in glossy faced panel BLACK/WHITE	81.00	*	7
5MEA/N	Shelf with crossbar 40x95 th.18cm in faced panel <b>Attention! Code 5MEA/PLEX is wrong</b>	143.00	*	7
5PED/N	Platform 100x45 H.4cm in faced panel raised with baseboard	117.00	*	7
5PED/L	Platform 100x45 H.4cm in glossy faced panel BLACK/WHITE raised with baseboard	133.00	*	7
5BAP	Crossbar L.95cm in metal	62.00	*	7
5PP	n.1 Frontal hanging pin L.25cm in metal	27.50	*	7
5PG	Pair of pins for shleves or crossbars L.40cm in metal	60.00	*	7
5CA/N	Chest of drawers 100x45 H.40cm in faced panel with removable drawer with wheels	440.00		7
5CA/L	Chest of drawers 100x45 H.40cm in glossy faced panel BLACK/WHITE with removable drawer with wheels	512.00		7
<b>CASH COUNTERS IN FACED PANEL WITH PADDED FRONT</b>				
5BCS1/NS	Cash counter (corner furniture unit) 120x120 H.100cm in faced panel - 4 compartments - padded fronts, covered with skay leather	1'875.00		9
5BCS2/NS	Cash counter 118x66 H.100cm in faced panel - with 1 drawer and 6 compartments - padded front, covered with skay leather	1'628.00		9
5BCS3/NS	Cash counter 60x66 H.100cm in faced panel - with 1 drawer and glass showcase - padded front, covered with skay leather	1'294.00		9
5BCS4/NS	Cash counter 150x66 H.100cm in faced panel - with 1 drawer and 8 compartments - padded front, covered with skay leather	1'865.00		9
5BCS5/NS	Cash counter 100x66 H.100cm in faced panel - with 4 compartments - padded front, covered with skay leather	1'330.00		9
5BCS1/NSL	Cash counter (corner furniture unit) 120x120 H.100cm in faced panel - 4 compartments - padded fronts, covered with skay glossy leather	1'920.00		9
5BCS2/NSL	Cash counter 118x66 H.100cm in faced panel - with 1 drawer and 6 compartments - padded front, covered with skay glossy leather	1'650.00		9



5BCS3/NSL	Cash counter 60x66 H.100cm in faced panel - with 1 drawer and glass showcase - padded front, covered with skay glossy leather	1'308.00		9
5BCS4/NSL	Cash counter 150x66 H.100cm in faced panel - with 1 drawer and 8 compartments - padded front, covered with skay glossy leather	1'902.00		9
5BCS5/NSL	Cash counter 100x66 H.100cm in faced panel - with 4 compartments - padded front, covered with skay glossy leather	1'362.00		9
5BCS1/NEP	Cash counter (corner furniture unit) 120x120 H.100cm in faced panel - 4 compartments - padded fronts, covered with synthetic croc printed leather	1'943.00		9
5BCS2/NEP	Cash counter 118x66 H.100cm in faced panel - with 1 drawer and 6 compartments - padded front, covered with synthetic croc printed leather	1'673.00		9
5BCS3/NEP	Cash counter 60x66 H.100cm in faced panel - with 1 drawer and glass showcase - padded front, covered with synthetic croc printed leather	1'317.00		9
5BCS4/NEP	Cash counter 150x66 H.100cm in faced panel - with 1 drawer and 8 compartments - padded front, covered with synthetic croc printed leather	1'934.00		9
5BCS5/NEP	Cash counter 100x66 H.100cm in faced panel - with 4 compartments - padded front, covered with synthetic croc printed leather	1'408.00		9
5BCS1/NEPL	Cash counter (corner furniture unit) 120x120 H.100cm in faced panel - 4 compartments - padded fronts, covered with synthetic croc printed glossy leather	1'989.00		9
5BCS2/NEPL	Cash counter 118x66 H.100cm in faced panel - with 1 drawer and 6 compartments - padded front, covered with synthetic croc printed glossy leather	1'719.00		9
5BCS3/NEPL	Cash counter 60x66 H.100cm in faced panel - with 1 drawer and glass showcase - padded front, covered with synthetic croc printed glossy leather	1'340.00		9
5BCS4/NEPL	Cash counter 150x66 H.100cm in faced panel - with 1 drawer and 8 compartments - padded front, covered with synthetic croc printed glossy leather	1'980.00		9
5BCS5/NEPL	Cash counter 100x66 H.100cm in faced panel - with 4 compartments - padded front, covered with synthetic croc printed glossy leather	1'454.00		9
<b>BACK-CASH MODULE</b>				
5RC/N	Back-cash module 100x40 H.100cm in faced panel	456.00		9
5RC/NL	Back-cash module 100x40 H.100cm in glossy faced panel BLACK/WHITE (only external)	564.00		9
<b>CASH COUNTERS IN FACED PANEL WITH PADDED FRONT</b>				
5BCIM1/NS	Cash counter 118x68 H.110cm in faced panel - 5 compartments - padded front, covered with skay leather	1'490.00		11
5BCIM2/NS	Cash counter 160x68 H.110cm in faced panel - padded front and lateral, covered with skay leather	1'564.00		11
5BCIM3/NS	Cash counter 160x68 H.110cm in faced panel - padded front and lateral, covered with skay leather	1'564.00		11
5BCIM4/NS	Cash counter 150x68 H.110cm in faced panel - padded front, covered with skay leather	1'340.00		11
5BCIM5/NS	Cash counter 118x68 H.110cm in faced panel - padded front, covered with skay leather	1'262.00		11
5BCIM1/NSL	Cash counter 118x68 H.110cm in faced panel - 5 compartments - padded front, covered with skay glossy leather	1'513.00		11
5BCIM2/NSL	Cash counter 160x68 H.110cm in faced panel - padded front and lateral, covered with skay glossy leather	1'632.00		11
5BCIM3/NSL	Cash counter 160x68 H.110cm in faced panel - padded front and lateral, covered with skay glossy leather	1'632.00		11
5BCIM4/NSL	Cash counter 150x68 H.110cm in faced panel - padded front, covered with skay glossy leather	1'362.00		11
5BCIM5/NSL	Cash counter 118x68 H.110cm in faced panel - padded front, covered with skay glossy leather	1'285.00		11
5BCIM1/NEP	Cash counter 118x68 H.110cm in faced panel - 5 compartments - padded front, covered with synthetic croc printed leather	1'536.00		11
5BCIM2/NEP	Cash counter 160x68 H.110cm in faced panel - padded front and lateral, covered with synthetic croc printed leather	1'655.00		11
5BCIM3/NEP	Cash counter 160x68 H.110cm in faced panel - padded front and lateral, covered with synthetic croc printed leather	1'655.00		11
5BCIM4/NEP	Cash counter 150x68 H.110cm in faced panel - padded front, covered with synthetic croc printed leather	1'385.00		11
5BCIM5/NEP	Cash counter 118x68 H.110cm in faced panel - padded front, covered with synthetic croc printed leather	1'308.00		11



5BCIM1/NEPL	Cash counter 118x68 H.110cm in faced panel - 5 compartments - padded front, covered with synthetic croc printed glossy leather	1'582.00		11
5BCIM2/NEPL	Cash counter 160x68 H.110cm in faced panel - padded front and lateral, covered with synthetic croc printed glossy leather	1'701.00		11
5BCIM3/NEPL	Cash counter 160x68 H.110cm in faced panel - padded front and lateral, covered with synthetic croc printed glossy leather	1'701.00		11
5BCIM4/NEPL	Cash counter 150x68 H.110cm in faced panel - padded front, covered with synthetic croc printed glossy leather	1'431.00		11
5BCIM5/NEPL	Cash counter 118x68 H.110cm in faced panel - padded front, covered with synthetic croc printed glossy leather	1'353.00		11
5CAS/N	Chest of drawers, 3 drawers in faced panel 60x54 H.67cm	541.00		11
5CAS/L	Chest of drawers, 3 drawers in glossy faced panel BLACK/WHITE 60x54 H.67cm	594.00		11
5PR/N	Raised surface in faced panel 100x50 H.25 cm	213.00		11
5PR/L	Raised surface in glossy faced panel BLACK/WHITE 100x50 H.25 cm	282.00		11

#### FREESTANDING ISLANDS WITH PADDED PANELS

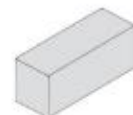
5IS/S	Freestanding island 100x100 H.150cm - base and structure in faced panel - with padded panels, covered with skay leather, ferruled	1'006.00		12
5IS/SL	Freestanding island 100x100 H.150cm - base and structure in faced panel - with padded panels, covered with skay glossy leather, ferruled	1'113.00		12
5IS/EP	Freestanding island 100x100 H.150cm - base and structure in faced panel - with padded panels, covered with synthetic croc printed leather, ferruled	1'143.00		12
5IS/EPL	Freestanding island 100x100 H.150cm - base and structure in faced panel - with padded panels, covered with synthetic croc printed glossy leather, ferruled	1'173.00		12

#### EQUIPABLE PADDED PANELS

5PA1/S	Ferruled padded panel 50x50cm sp.8cm - covered with skay leather	213.00		13
5PA2/S	Ferruled padded panel 100x50cm sp.8cm - covered with skay leather	265.00		13
5PA3/S	Ferruled padded panel 100x100cm sp.8cm - covered with skay leather	475.00		13
5PA4/S	Ferruled padded panel 100x125cm sp.8cm - covered with skay leather	556.00		13
5PA5/S	Ferruled padded panel 100x250cm sp.8cm - covered with skay leather	785.00		13
5PA1/SL	Ferruled padded panel 50x50cm sp.8cm - covered with skay glossy leather	227.00	*	13
5PA2/SL	Ferruled padded panel 100x50cm sp.8cm - covered with skay glossy leather	273.00	*	13
5PA3/SL	Ferruled padded panel 100x100cm sp.8cm - covered with skay glossy leather	483.00	*	13
5PA4/SL	Ferruled padded panel 100x125cm sp.8cm - covered with skay glossy leather	564.00	*	13
5PA5/SL	Ferruled padded panel 100x250cm sp.8cm - covered with skay glossy leather	800.00		13
5PA1/EP	Ferruled padded panel 50x50cm sp.8cm - covered with synthetic croc printed leather	236.00	*	13
5PA2/EP	Ferruled padded panel 100x50cm sp.8cm - covered with synthetic croc printed leather	280.00	*	13
5PA3/EP	Ferruled padded panel 100x100cm sp.8cm - covered with synthetic croc printed leather	491.00	*	13
5PA4/EP	Ferruled padded panel 100x125cm sp.8cm - covered with synthetic croc printed leather	572.00	*	13
5PA5/EP	Ferruled padded panel 100x250cm sp.8cm - covered with synthetic croc printed leather	808.00		13
5PA1/EPL	Ferruled padded panel 50x50cm sp.8cm - covered with synthetic croc printed glossy leather <b>Attention! Code 5PA4/EPL is wrong</b>	250.00	*	13
5PA2/EPL	Ferruled padded panel 100x50cm sp.8cm - covered with synthetic croc printed glossy leather <b>Attention! Code 5PA4/EPL is wrong</b>	288.00	*	13
5PA3/EPL	Ferruled padded panel 100x100cm sp.8cm - covered with synthetic croc printed glossy leather <b>Attention! Code 5PA4/EPL is wrong</b>	498.00	*	13
5PA4/EPL	Ferruled padded panel 100x125cm sp.8cm - covered with synthetic croc printed glossy leather	579.00	*	13
5PA5/EPL	Ferruled padded panel 100x250cm sp.8cm - covered with synthetic croc printed glossy leather <b>Attention! Code 5PA4/EPL is wrong</b>	831.00		13

#### PADDED POUFS

5POU1/S	Padded pouf 200x45 H.45cm - covered with skay leather	777.00		18
5POU1/SL	Padded pouf 200x45 H.45cm - covered with skay glossy leather	808.00		18
5POU1/EP	Padded pouf 200x45 H.45cm - covered with synthetic croc printed leather	838.00		18
5POU1/EPL	Padded pouf 200x45 H.45cm - covered with synthetic croc printed glossy leather	869.00		18
5POU2/S	Padded pouf 100x45 H.45cm - covered with skay leather	488.00		18
5POU2/SL	Padded pouf 100x45 H.45cm - covered with skay glossy leather	511.00		18





5POU2/EP	Padded pouf 100x45 H.45cm - covered with synthetic croc printed leather	533.00		18
5POU2/EPL	Padded pouf 100x45 H.45cm - covered with synthetic croc printed glossy leather	556.00		18
5POU3/S	Padded pouf 45x45 H.45cm - covered with skay leather	283.00		18
5POU3/SL	Padded pouf 45x45 H.45cm - covered with skay glossy leather	299.00	*	18
5POU3/EP	Padded pouf 45x45 H.45cm - covered with synthetic croc printed leather	314.00	*	18
5POU3/EPL	Padded pouf 45x45 H.45cm - covered with synthetic croc printed glossy leather	329.00	*	18
<b>AS ALTERNATIVE - - - - RIGID POUF IN FACED PANEL OR COVERED</b>				
5POU1/N	Pouf 200x45 H.45cm - in faced panel	434.00		/
5POU1/L	Pouf 200x45 H.45cm - in glossy faced panel BLACK/WHITE	594.00		/
5POU1R/S	Pouf 200x45 H.45cm - covered with skay leather	625.00		/
5POU1R/SL	Pouf 200x45 H.45cm - covered with skay glossy leather	655.00		/
5POU1R/EP	Pouf 200x45 H.45cm - covered with synthetic croc printed leather	686.00		/
5POU1R/EPL	Pouf 200x45 H.45cm - covered with synthetic croc printed glossy leather	747.00		/
5POU2/N	Pouf 100x45 H.45cm - in faced panel	274.00		/
5POU2/L	Pouf 100x45 H.45cm - in glossy faced panel BLACK/WHITE	366.00		/
5POU2R/S	Pouf 100x45 H.45cm - covered with skay leather	411.00		/
5POU2R/SL	Pouf 100x45 H.45cm - covered with skay glossy leather	434.00		/
5POU2R/EP	Pouf 100x45 H.45cm - covered with synthetic croc printed leather	457.00		/
5POU2R/EPL	Pouf 100x45 H.45cm - covered with synthetic croc printed glossy leather	471.00		/
5POU3/N	Pouf 45x45 H.45cm - in faced panel	183.00		/
5POU3/L	Pouf 45x45 H.45cm - in glossy faced panel BLACK/WHITE	213.00		/
5POU3R/S	Pouf 45x45 H.45cm - covered with skay leather	244.00		/
5POU3R/SL	Pouf 45x45 H.45cm - covered with skay glossy leather	267.00	*	/
5POU3R/EP	Pouf 45x45 H.45cm - covered with synthetic croc printed leather	274.00	*	/
5POU3R/EPL	Pouf 45x45 H.45cm - covered with synthetic croc printed glossy leather	290.00	*	/



Preise ab unseren Lokalitäten. Preisänderung vorbehalten.  
Diese Preisliste annulliert die vorhergehende.  
Lieferfrist ca. 4 Wochen ab Auftragsbestätigung. **Exkl. MwSt**  
Fotos, Farben und Grössen können vom Original abweichen.

Prix départ de nos locaux. Sous réserve de modifications. **TVA non incluse**  
La présente liste annule et remplace toute précédente liste.  
Délai de livraison hors stock, env. 4 sem. dès confirmation commande.  
Photos, couleurs et mesures non contractuelles.

**DITTA DISPLAY**  
info@dittadisplay.ch  
www.dittadisplay.ch

**TMC Galleria, Thurgauerstr. 119,**  
**8152 Glattpark / Opfikon ZH**  
TEL 043 495 06 61 FAX 043 495 06 62

**Ch. des Champs-Courbes 1,**  
**ZI En Vallaire Est, 1024 Ecublens VD**  
TEL 021 691 12 12 FAX 021 691 13 13